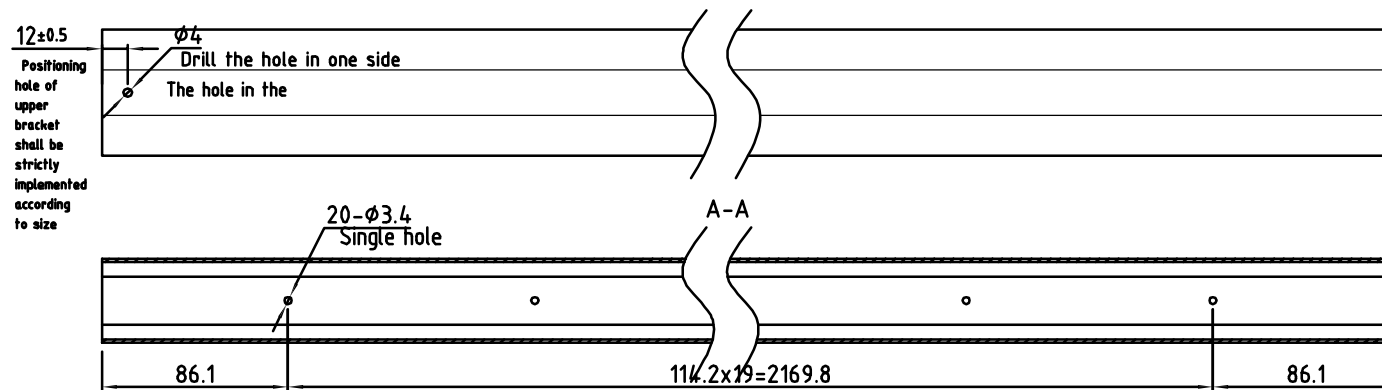
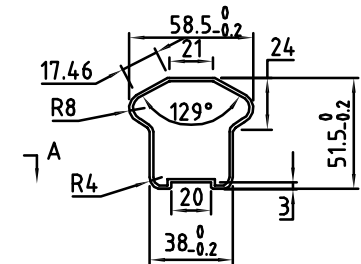
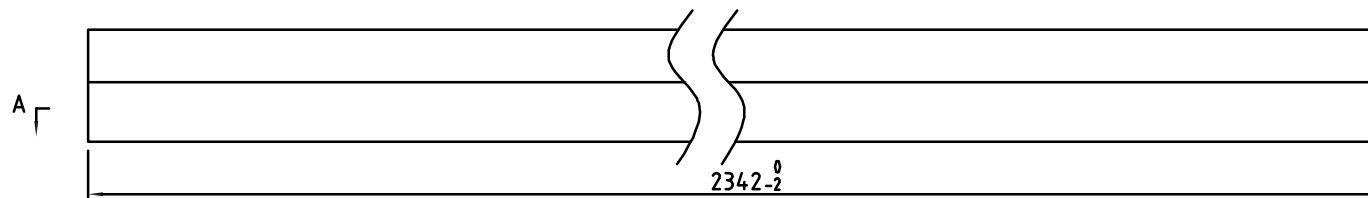
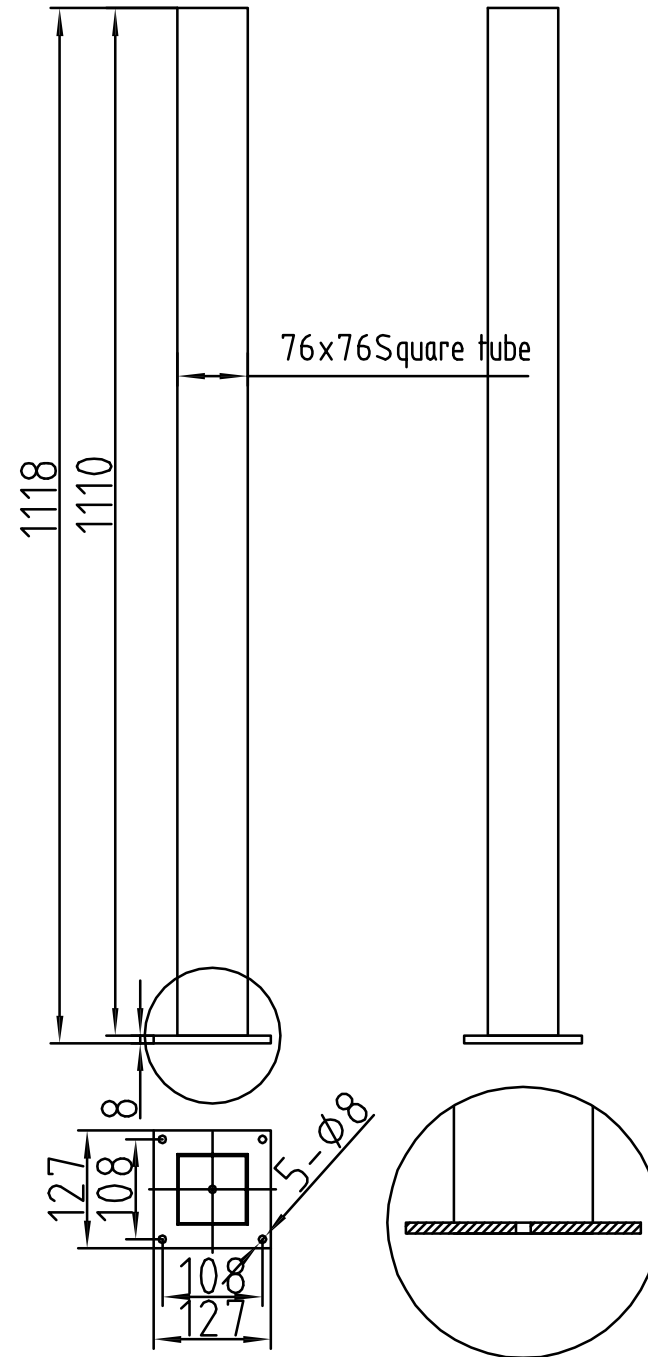
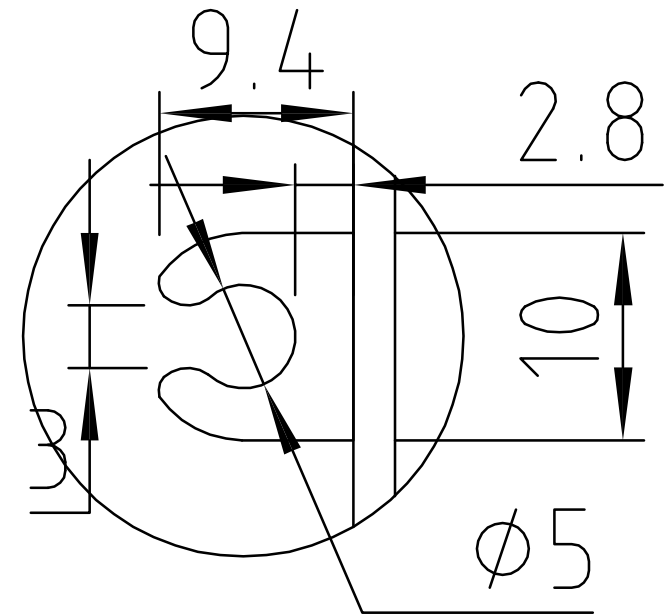
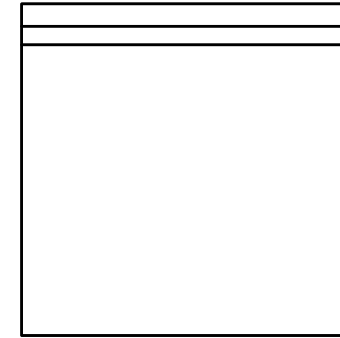
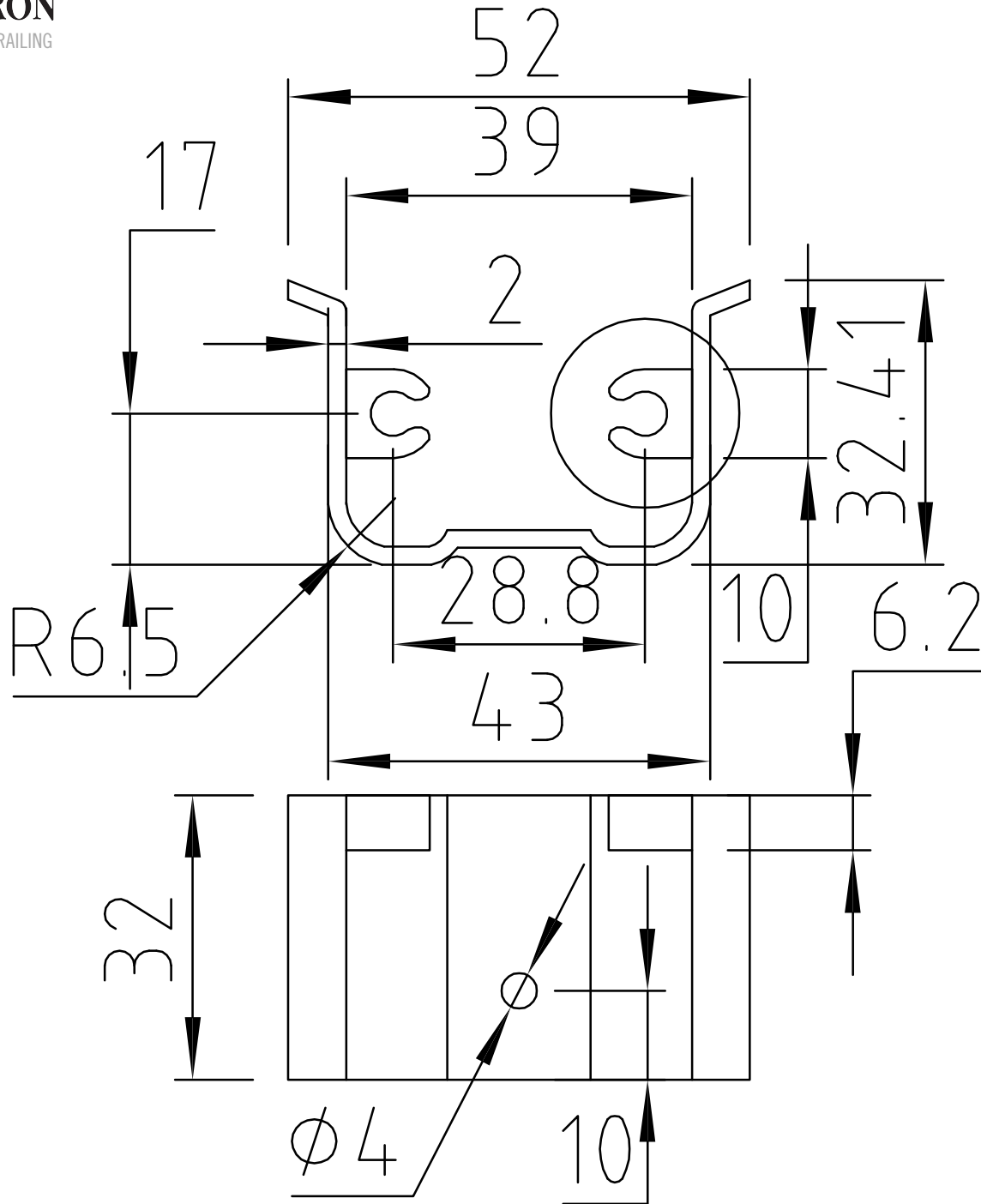


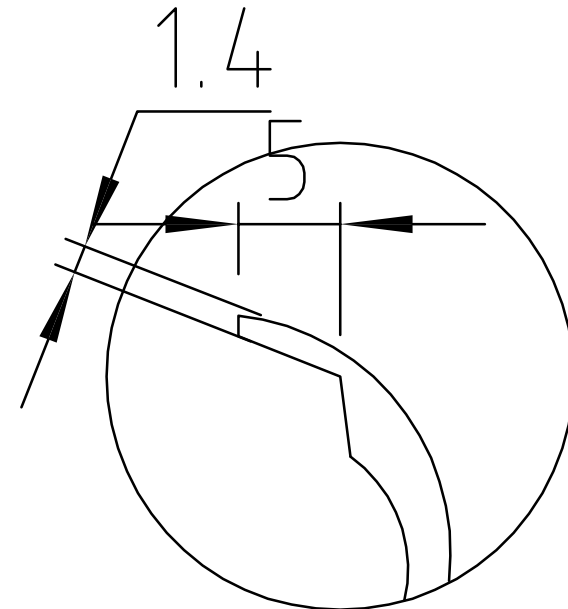
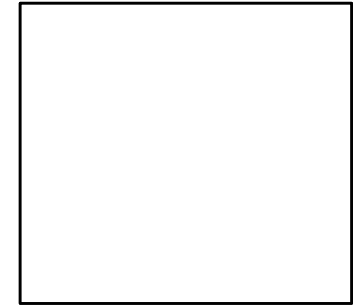
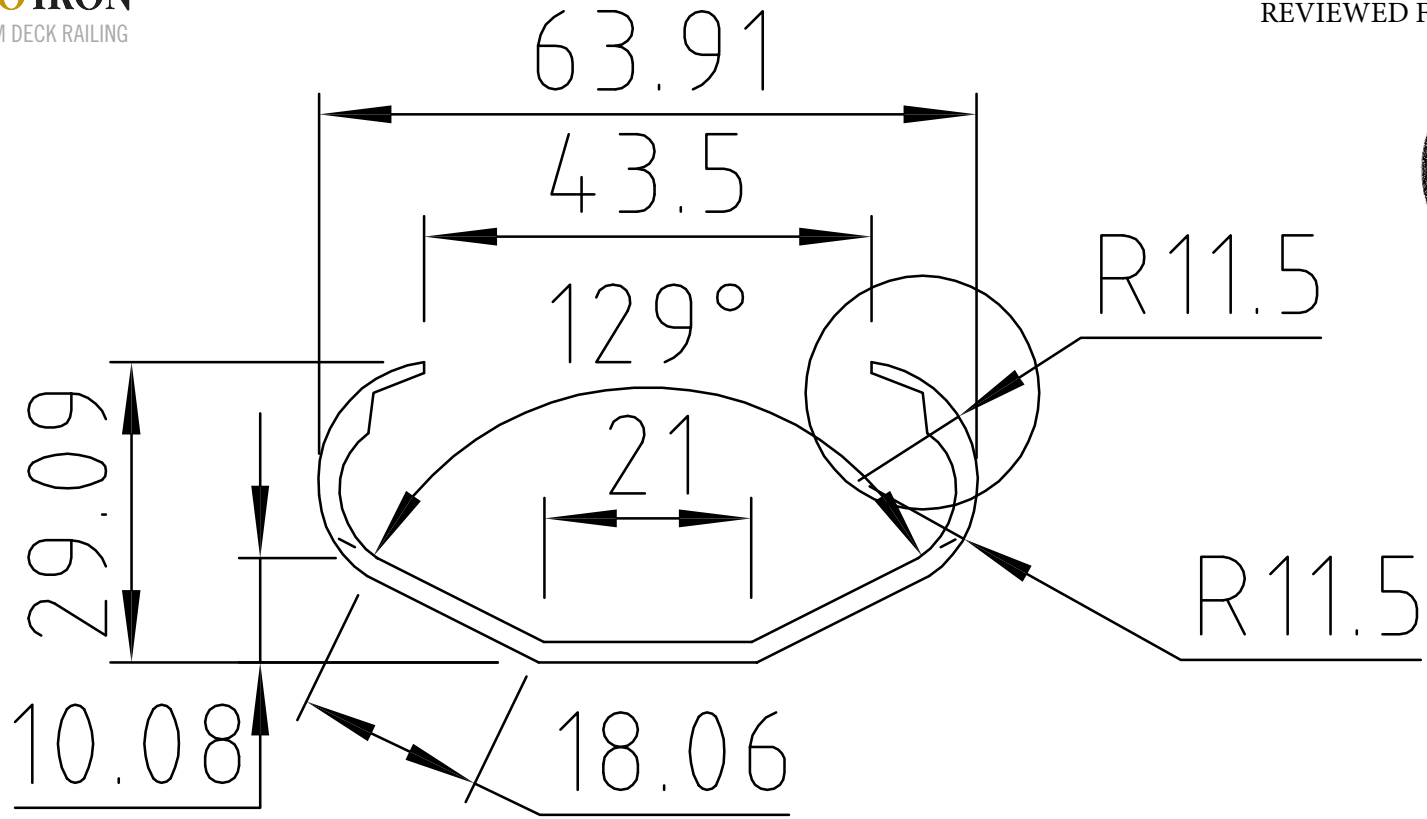
AC ENGINEERING INC.
REVIEWED FOR NBC 2015 & OBC
2012 9.8.8.2

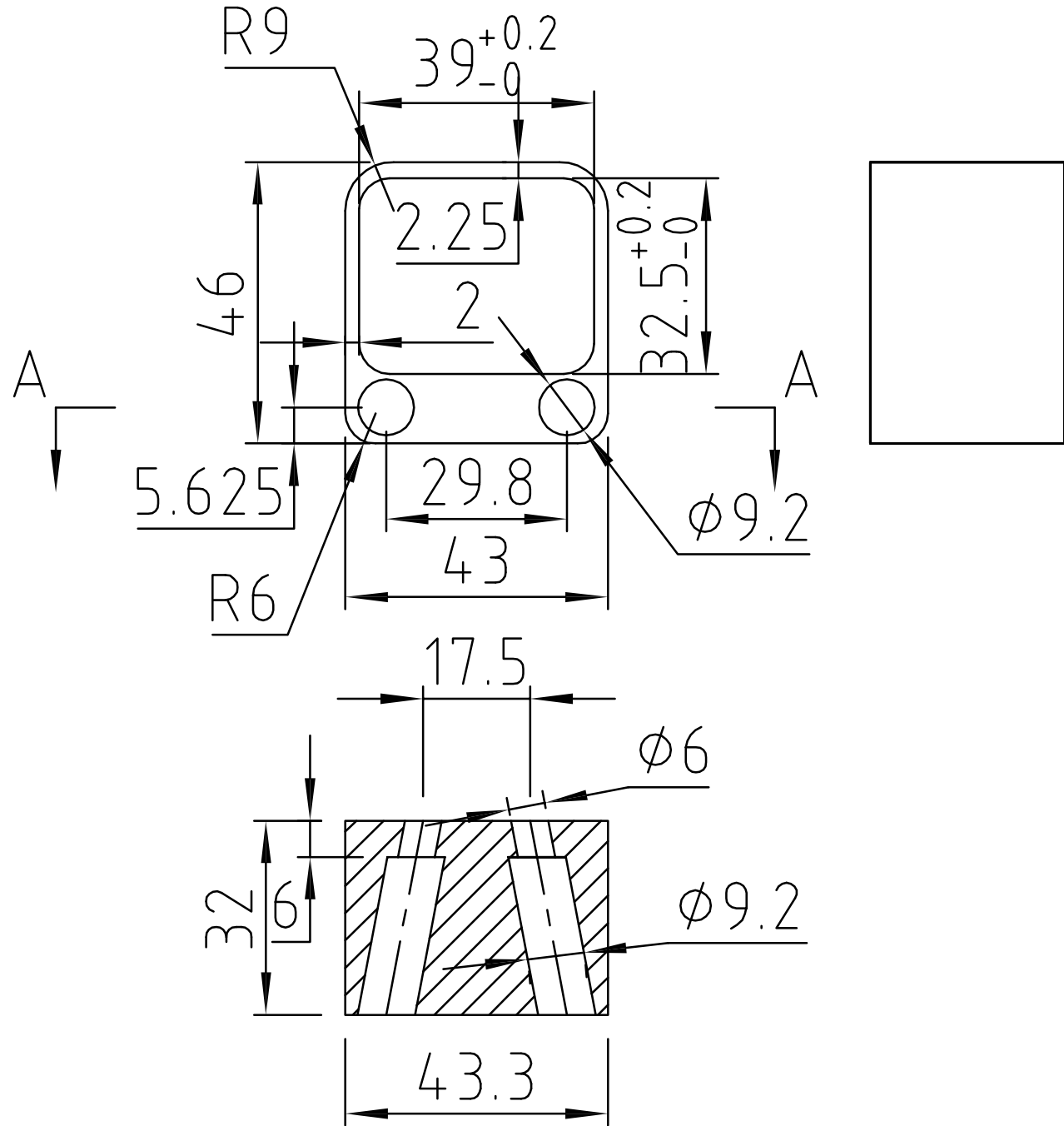






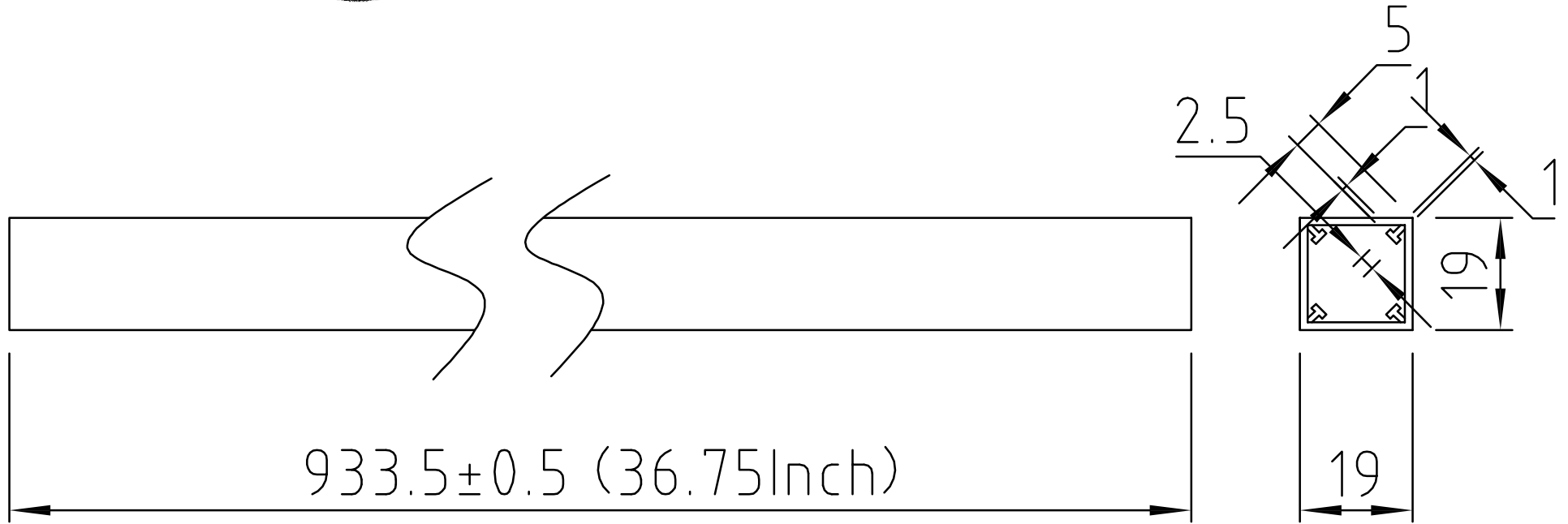


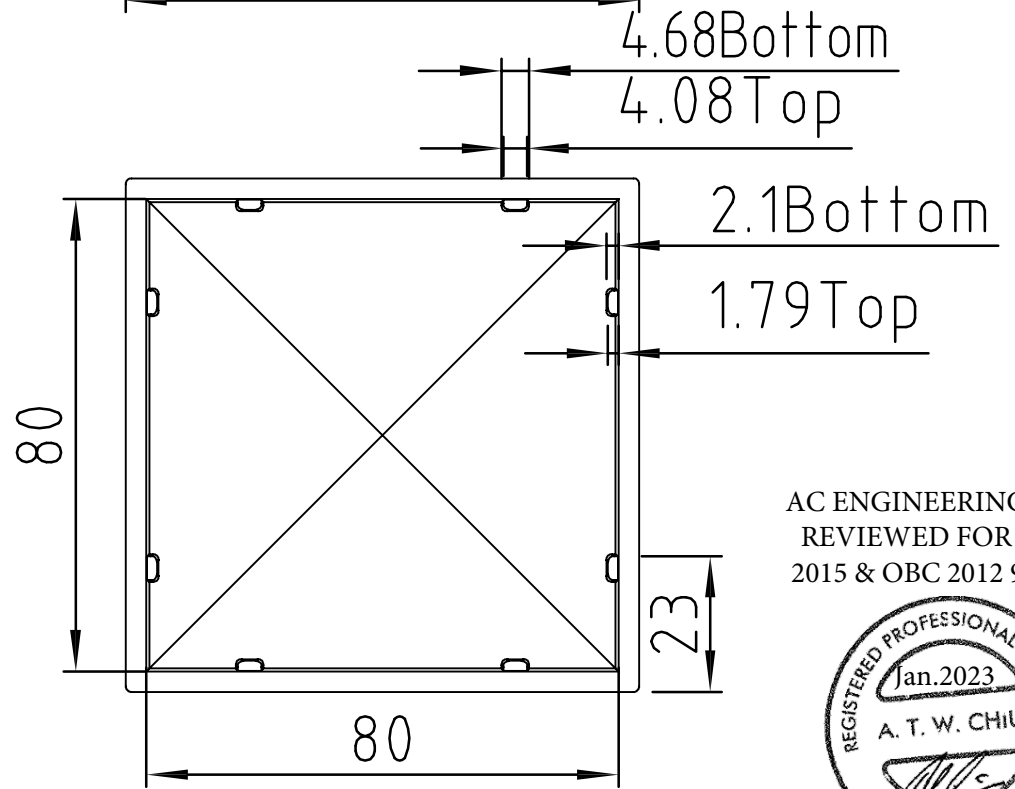
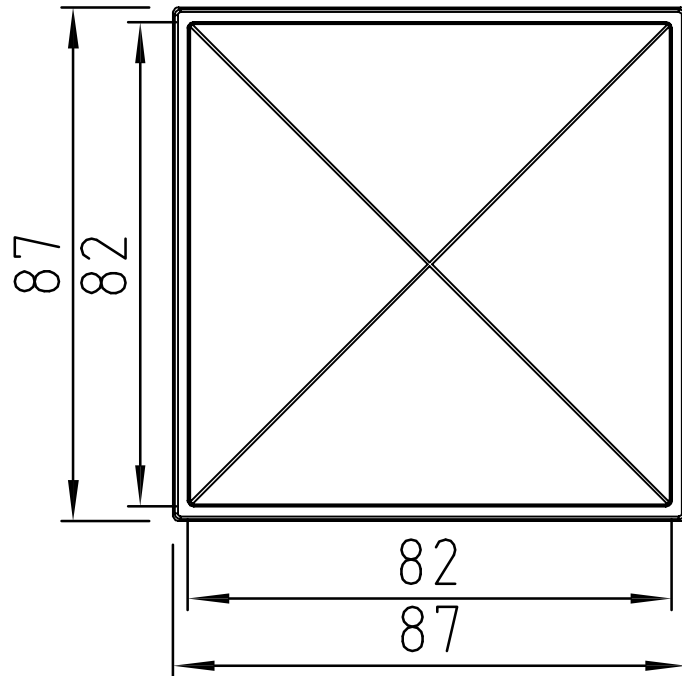
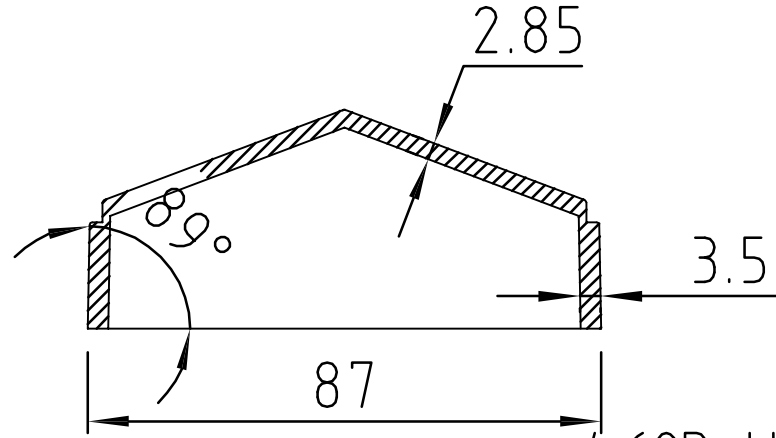
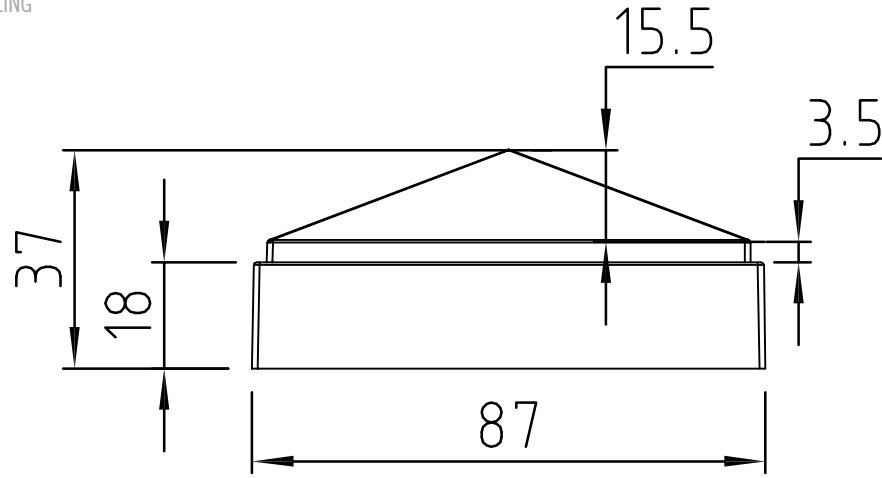




AC ENGINEERING INC.
REVIEWED FOR NBC 2015 &
OBC 2012 9.8.8.2

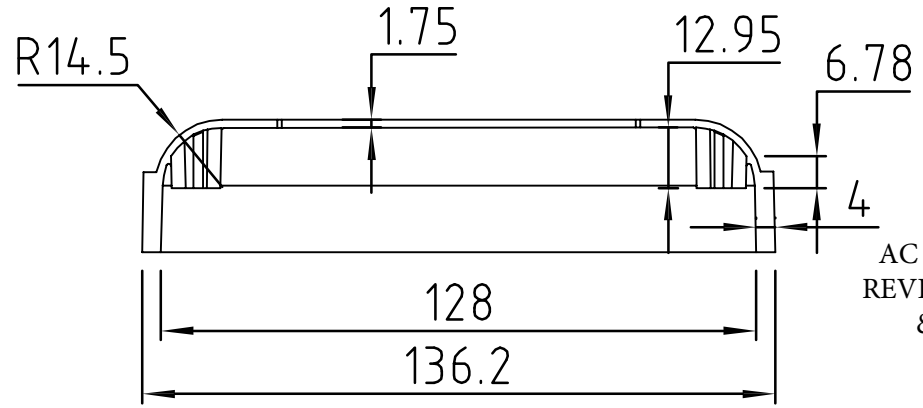
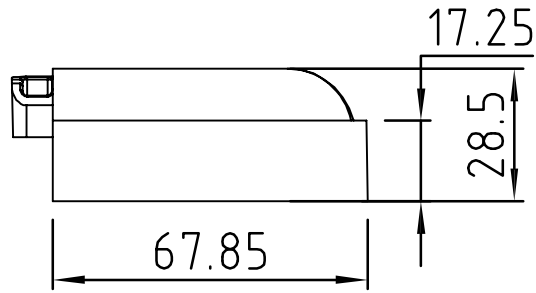




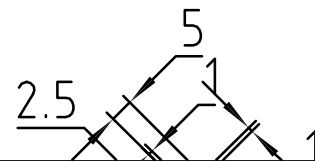
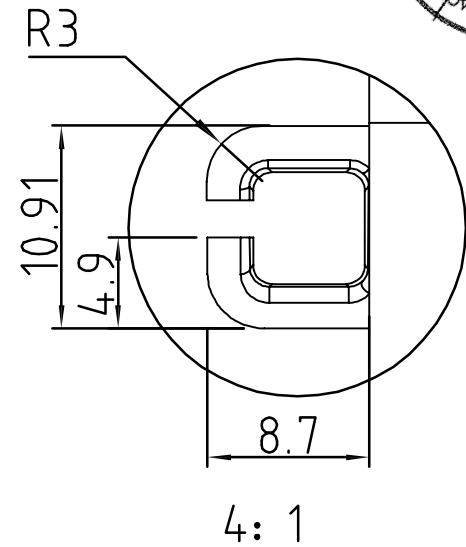
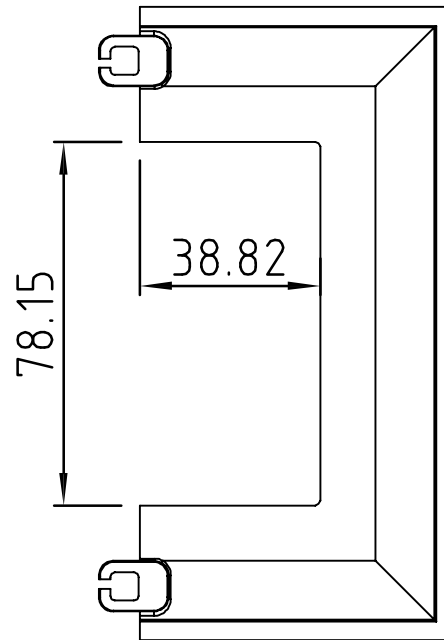
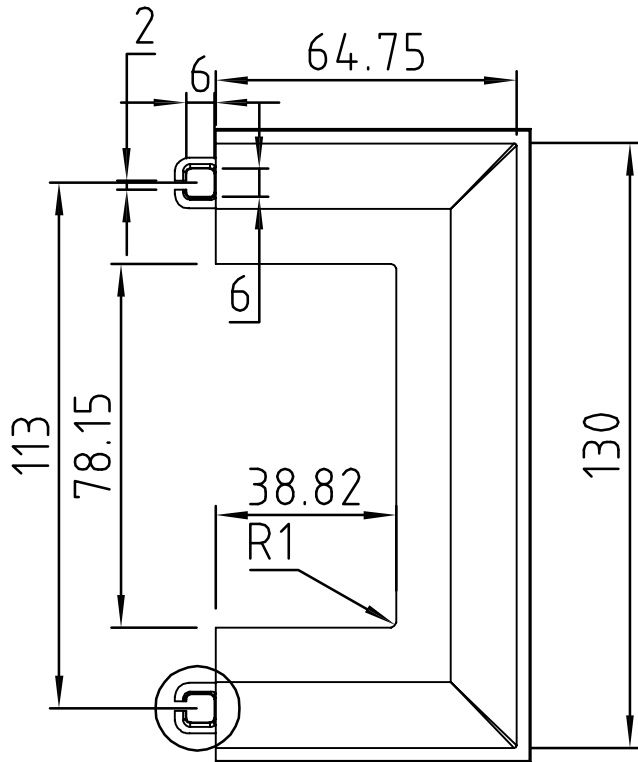


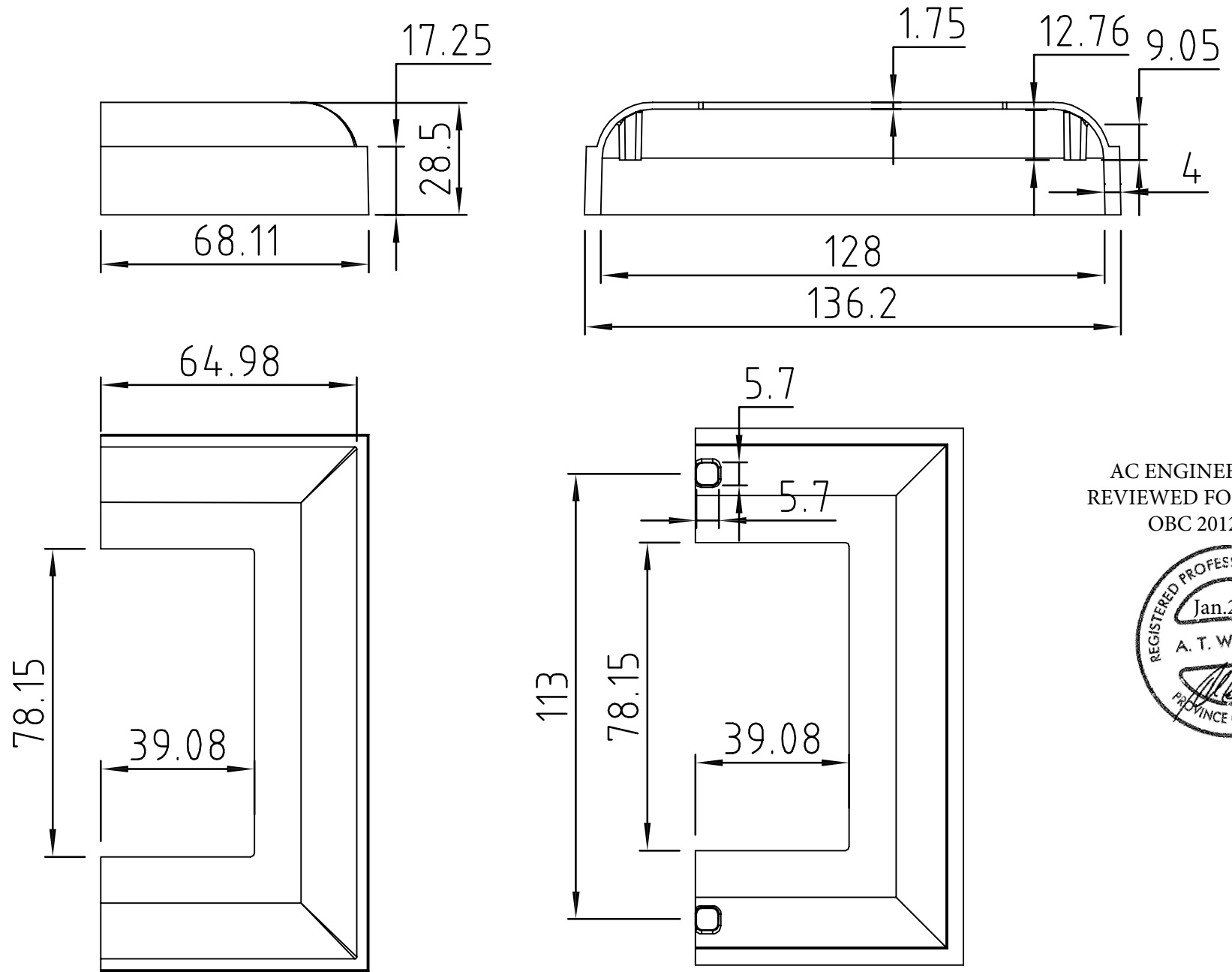
AC ENGINEERING INC.
REVIEWED FOR NBC
2015 & OBC 2012 9.8.8.2





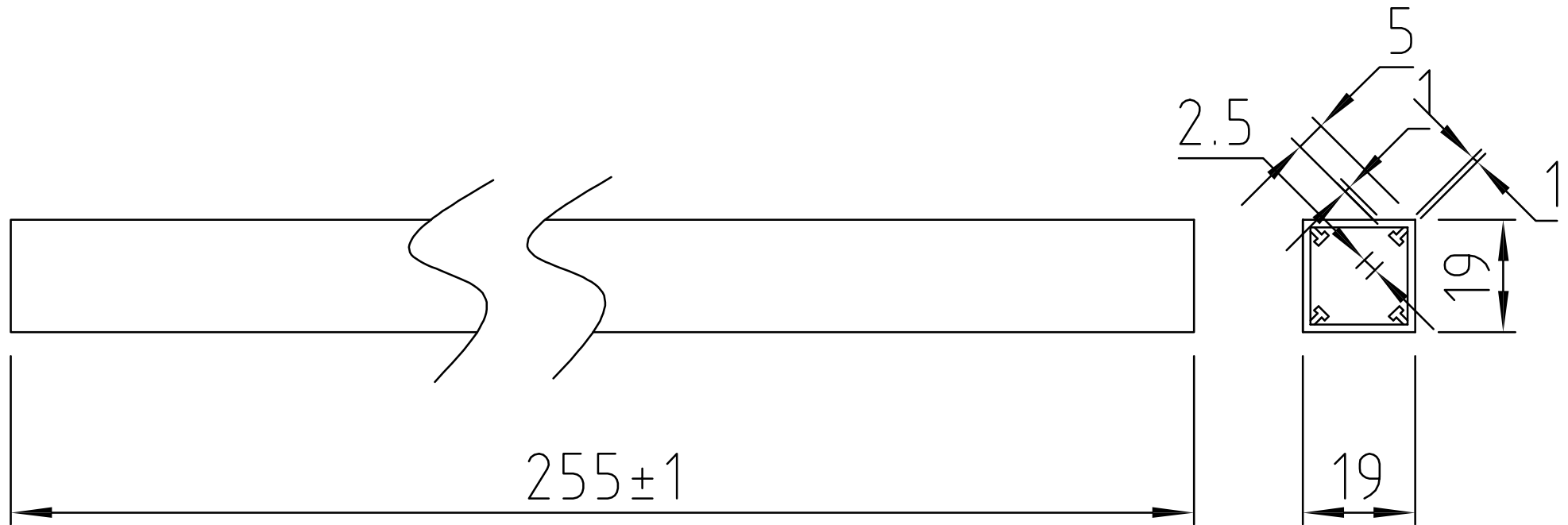
AC ENGINEERING INC.
REVIEWED FOR NBC 2015
& OBC 2012 9.8.8.2





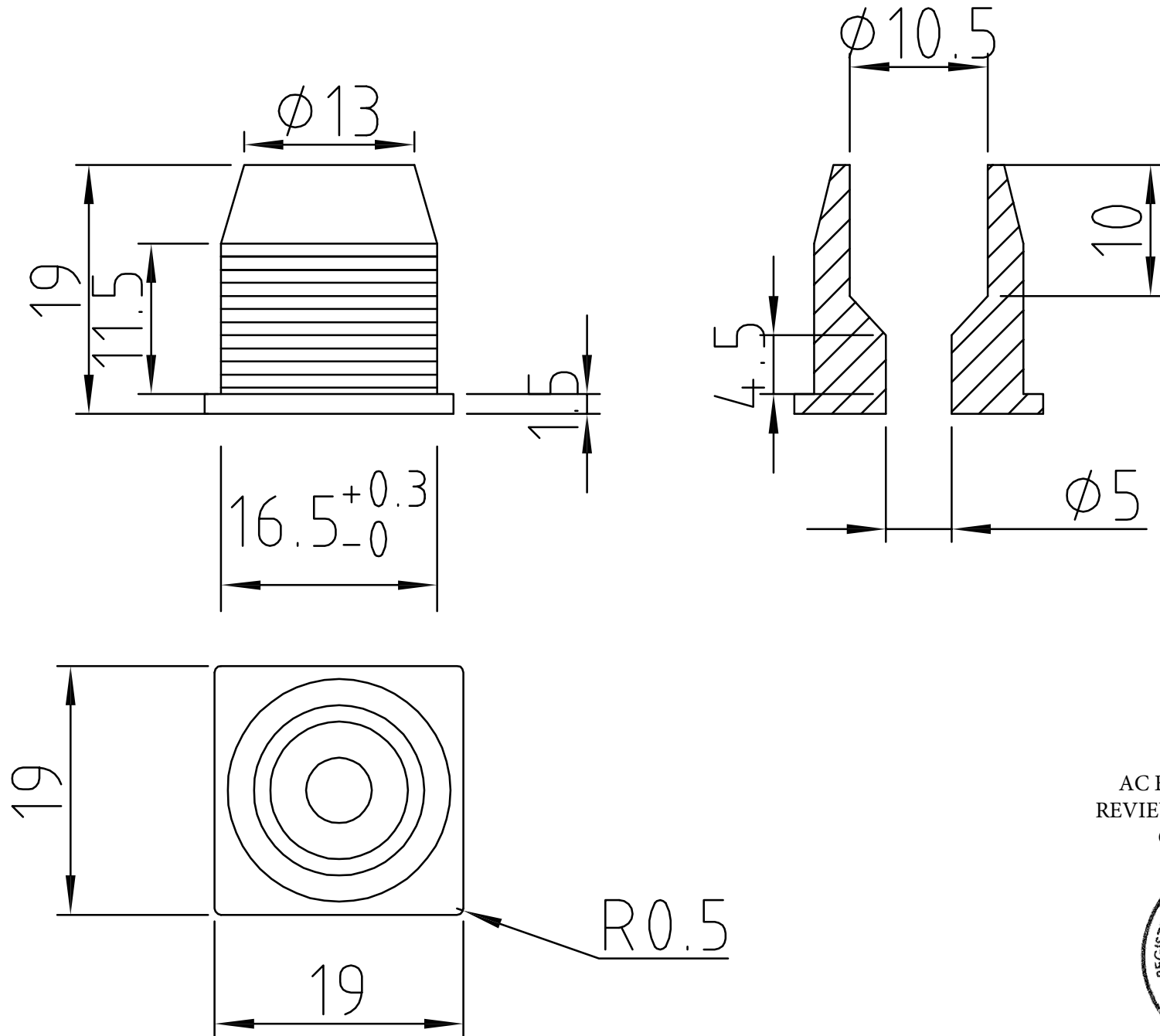
AC ENGINEERING INC.
REVIEWED FOR NBC 2015 &
OBC 2012 9.8.8.2





AC ENGINEERING INC.
REVIEWED FOR NBC 2015 & OBC
2012 9.8.8.2

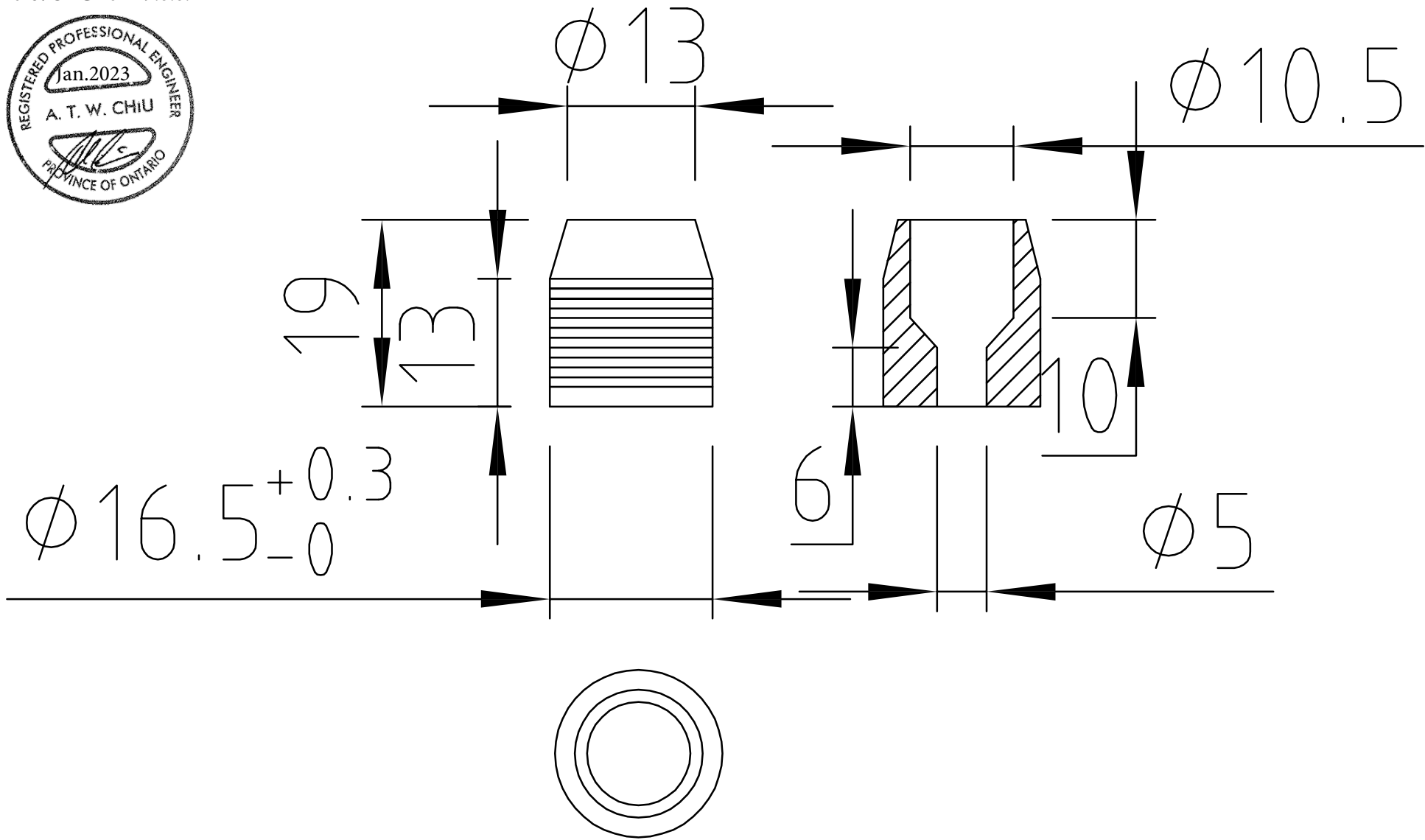




AC ENGINEERING INC.
REVIEWED FOR NBC 2015 &
OBC 2012 9.8.8.2



AC ENGINEERING INC.
REVIEWED FOR NBC
2015 & OBC 2012 9.8.8.2



AC ENGINEERING INC.
REVIEWED FOR NBC 2015
& OBC 2012 9.8.8.2

