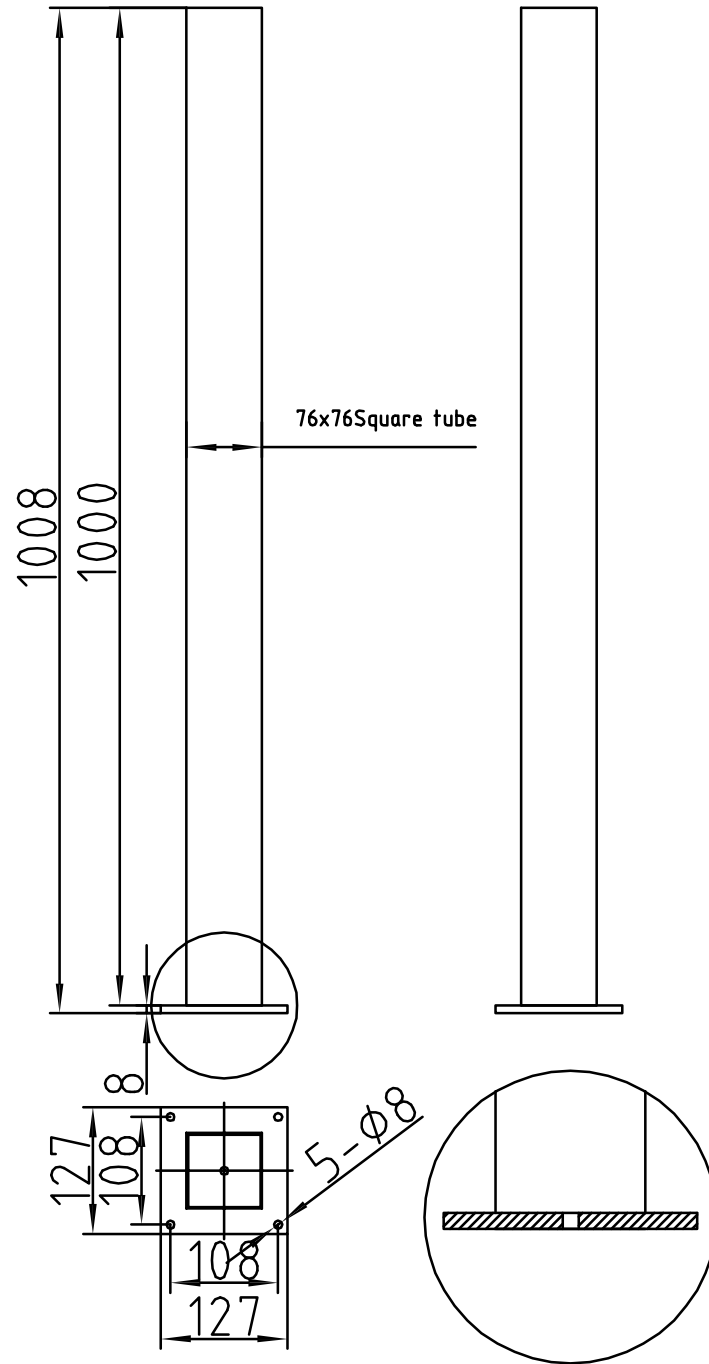


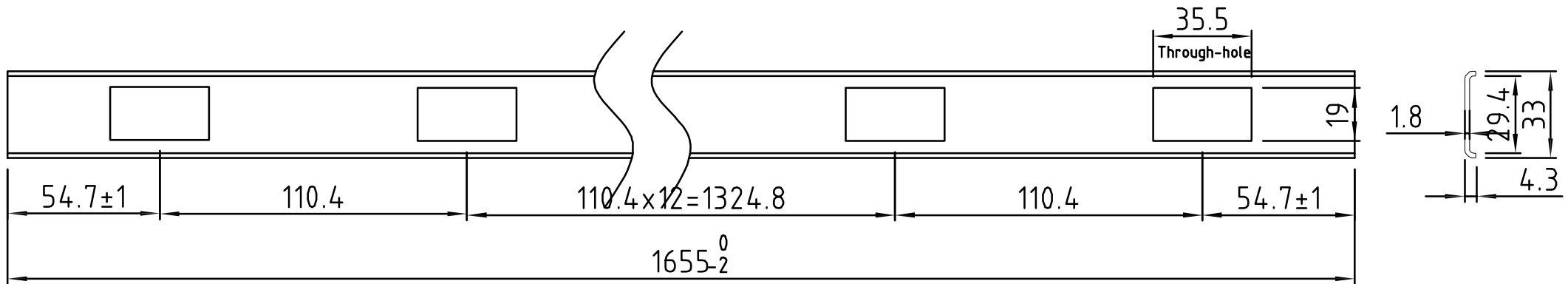
**NUVOIRON™**

ALUMINUM STAIR RAILING



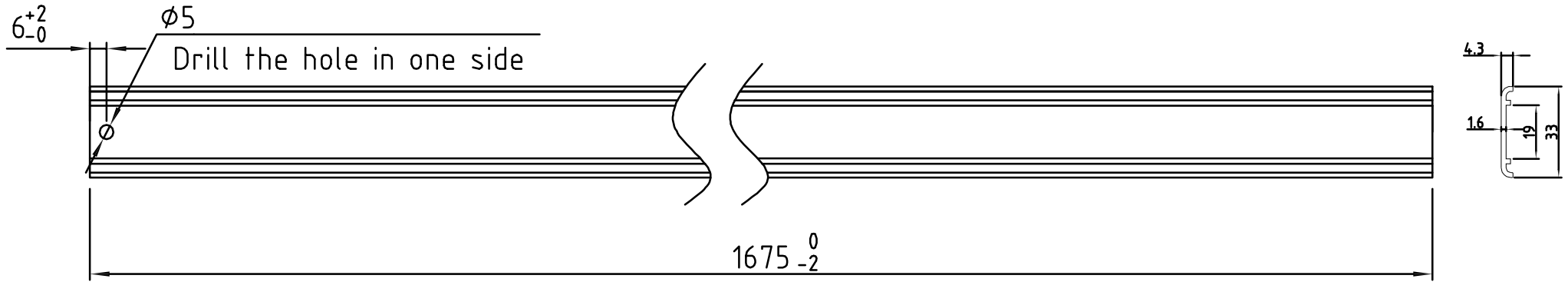
AC ENGINEERING INC.  
REVIEWED FOR NBC 2015 &  
O.B.C. 2012 9.8.8.2





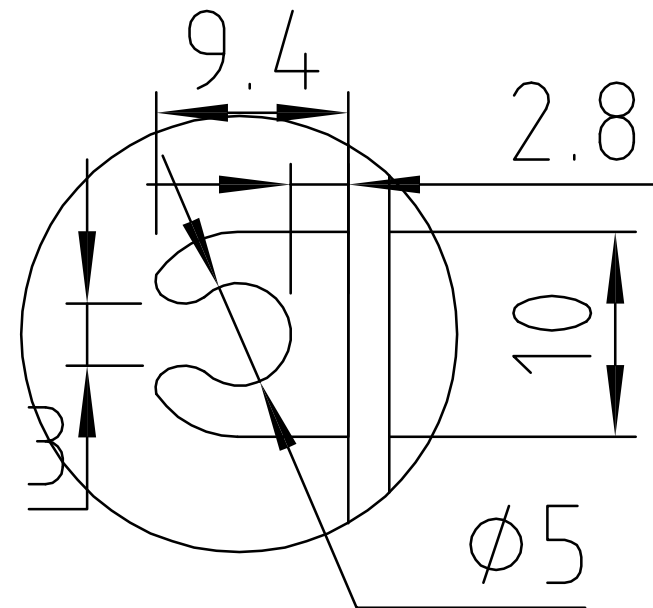
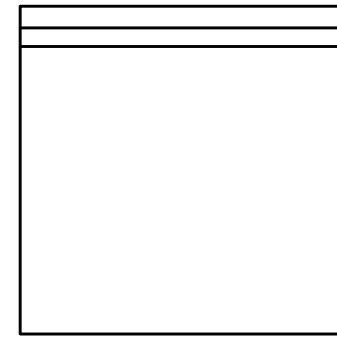
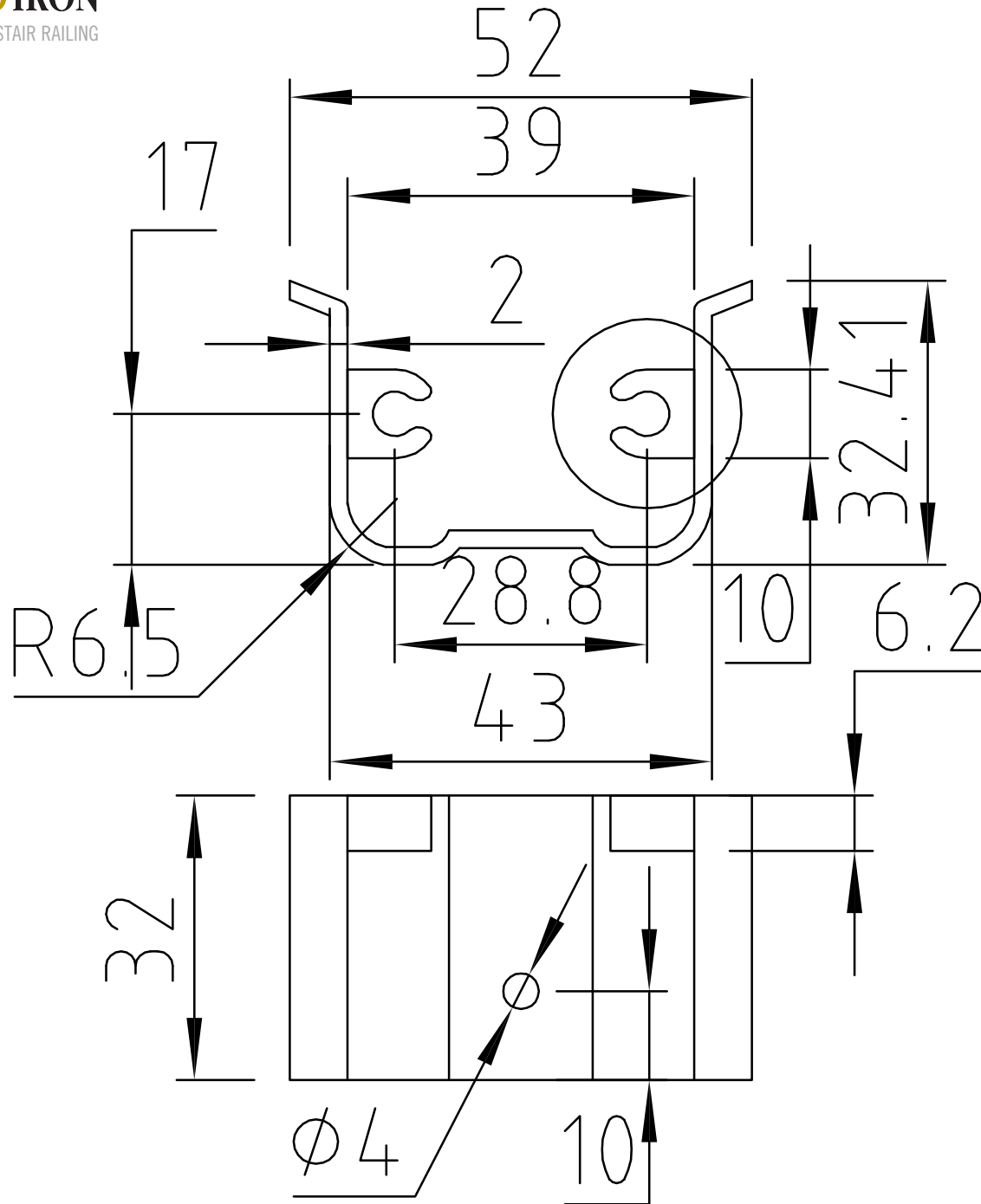
AC ENGINEERING INC.  
REVIEWED FOR NBC 2015 &  
O.B.C. 2012 9.8.8.2

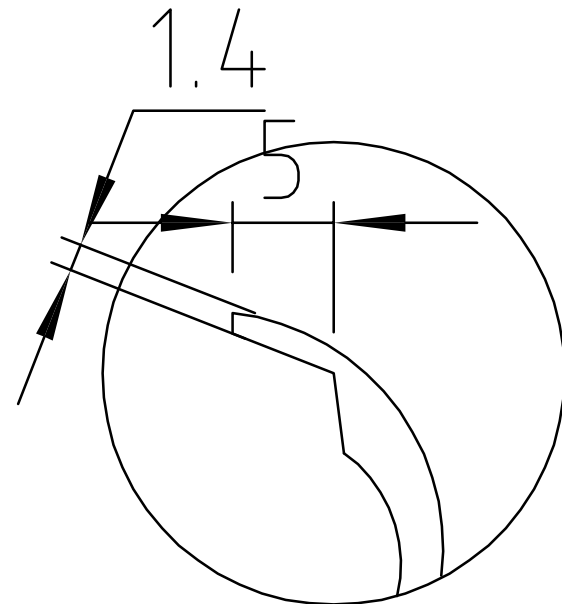
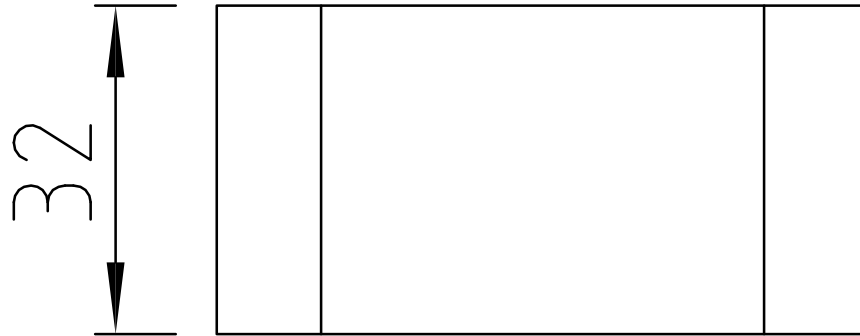
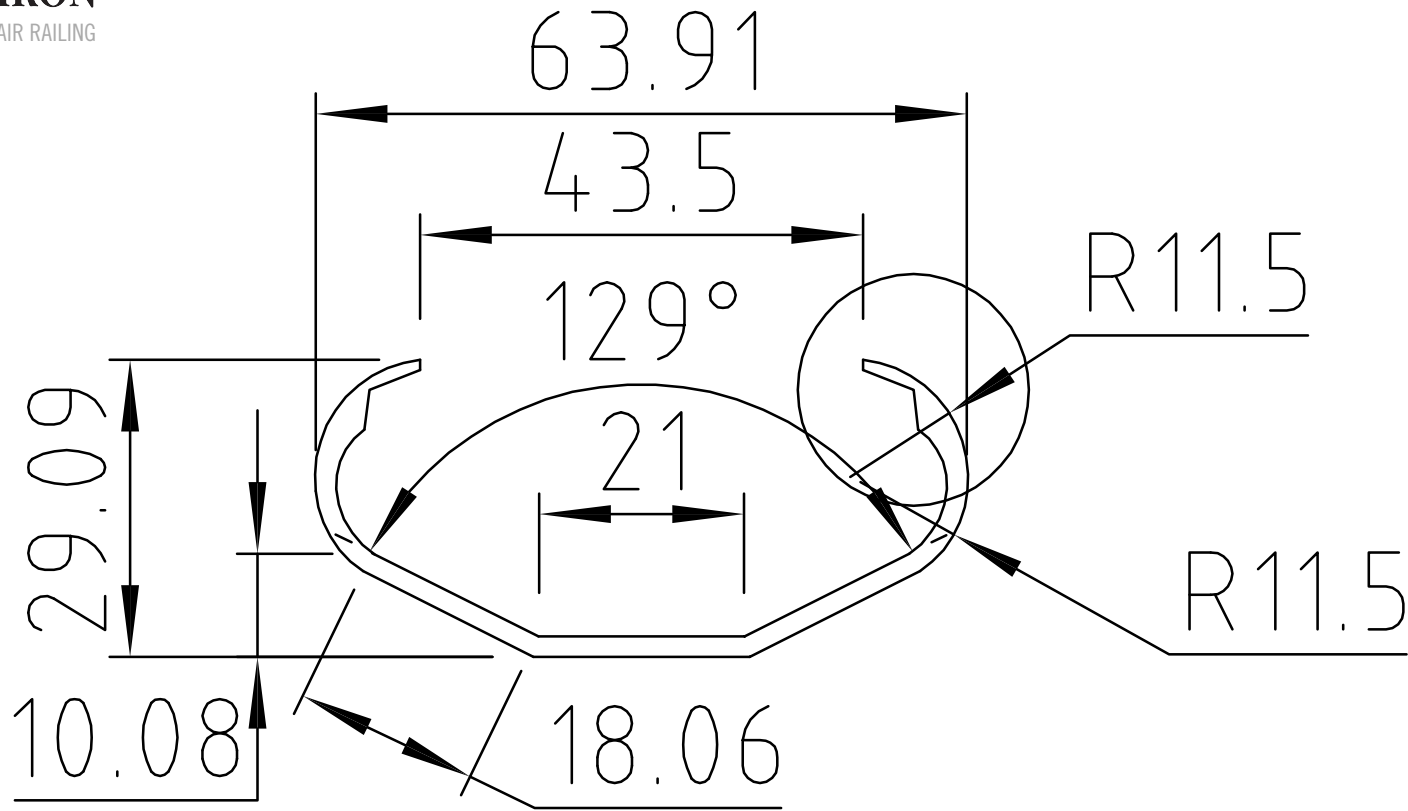


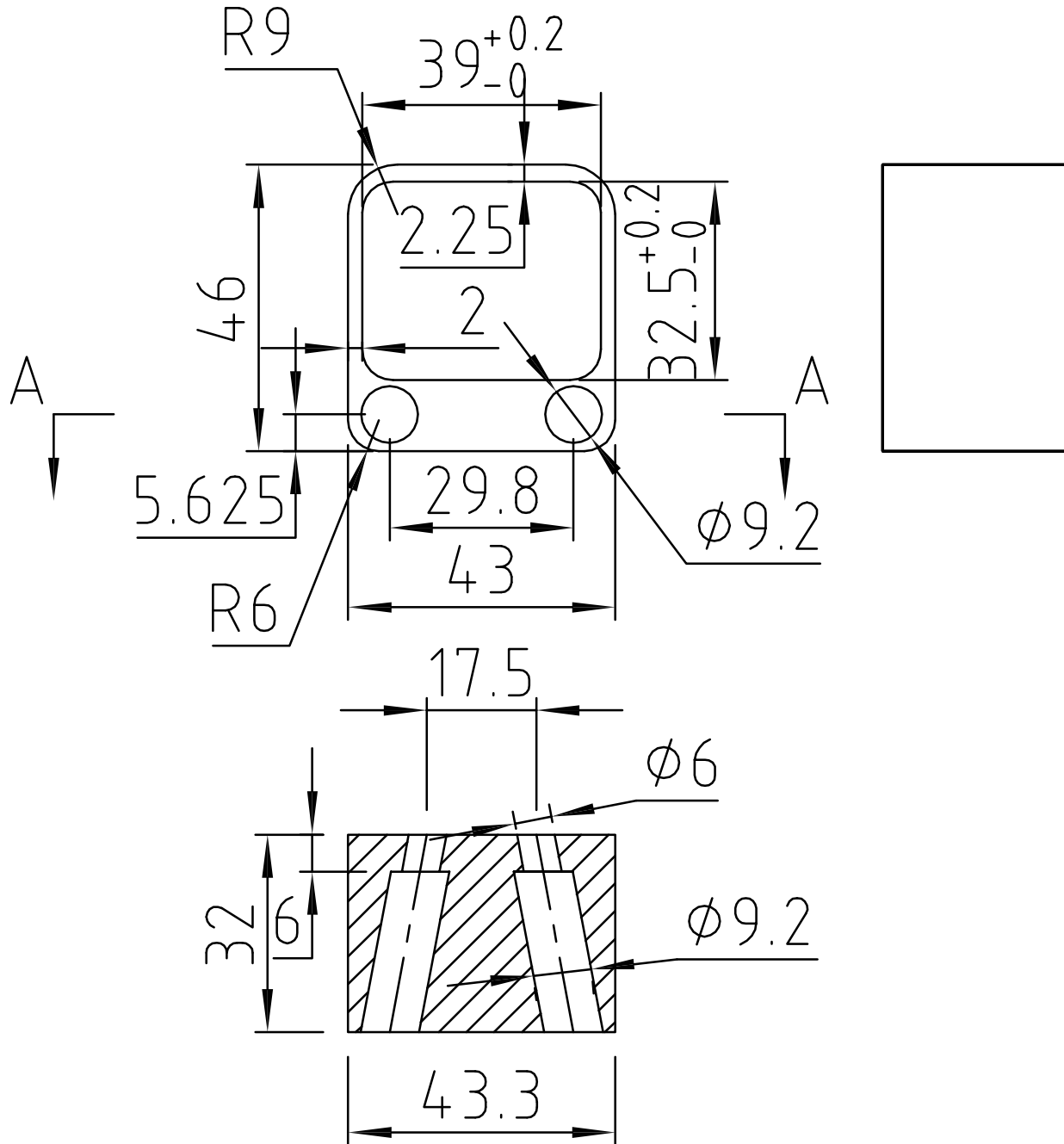


AC ENGINEERING INC.  
REVIEWED FOR NBC 2015  
& O.B.C. 2012 9.8.8.2



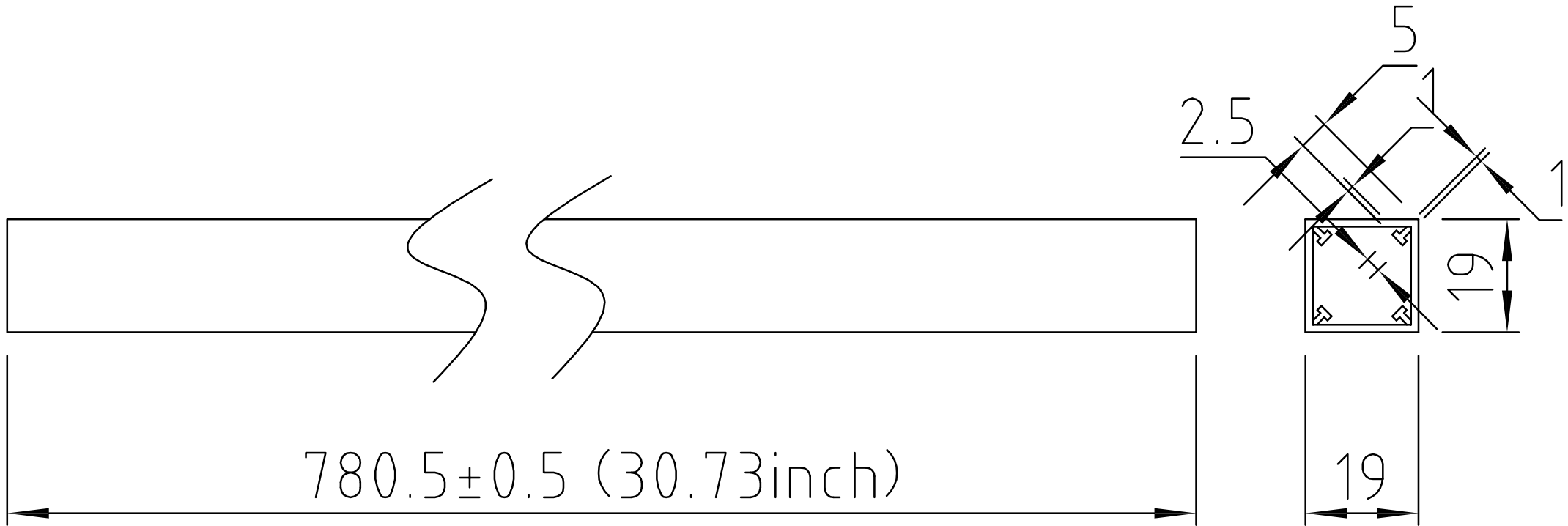






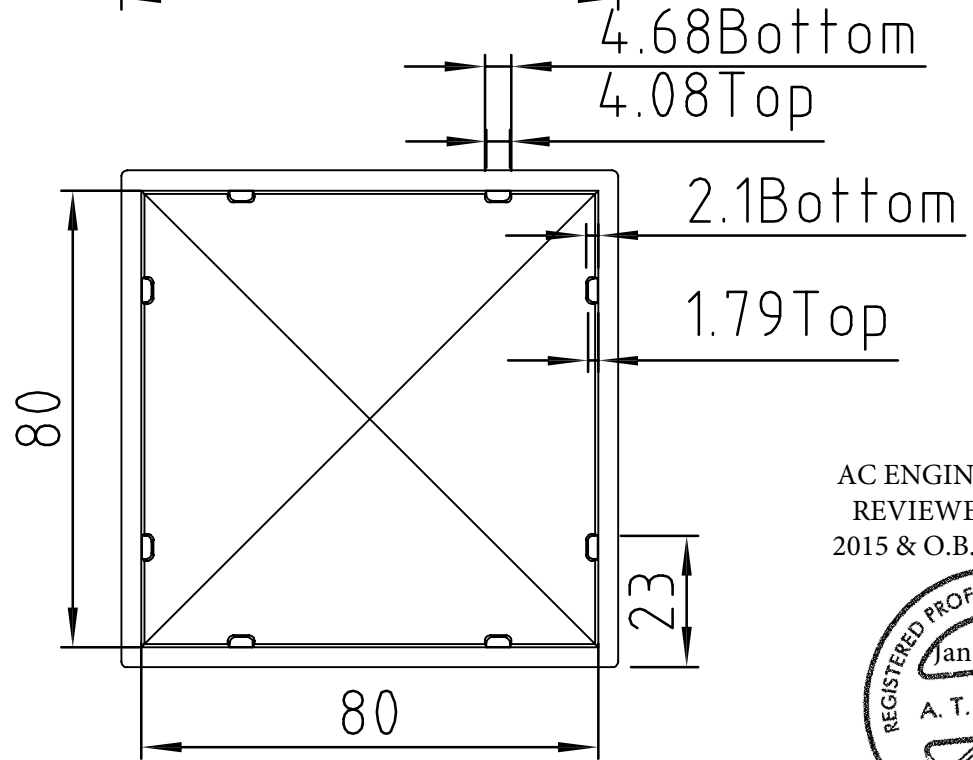
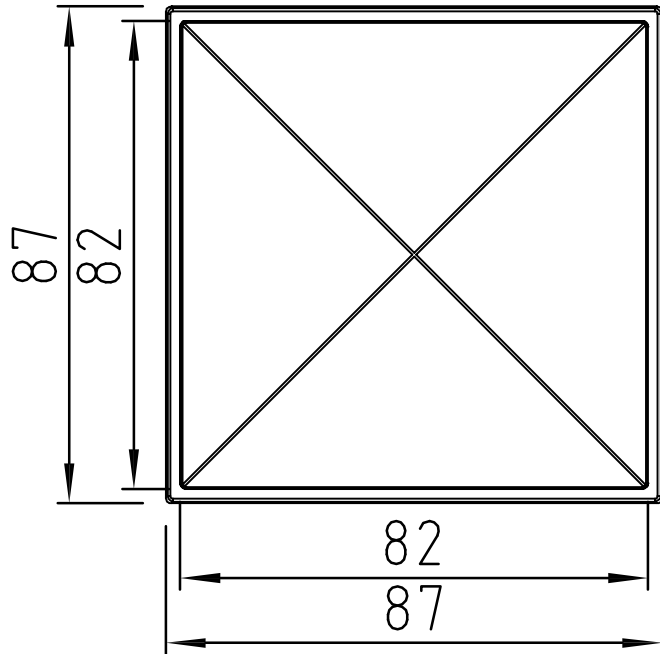
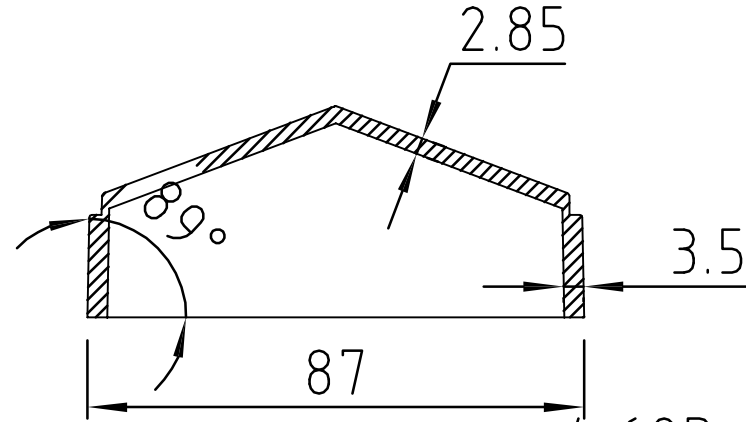
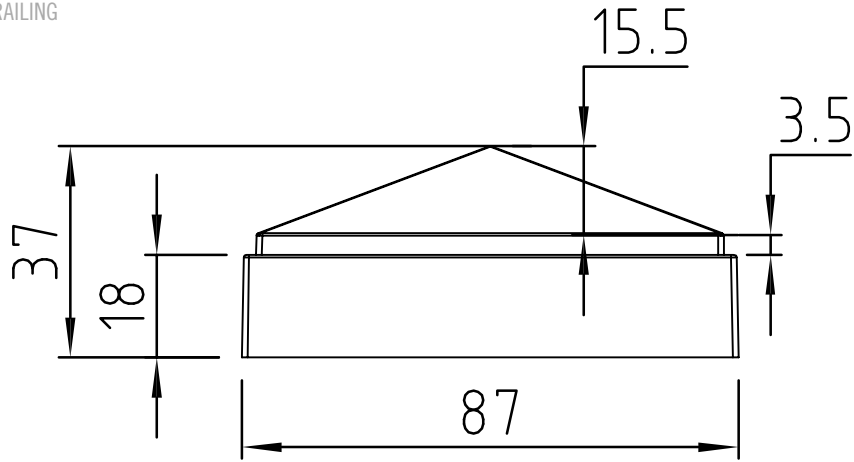
AC ENGINEERING INC.  
REVIEWED FOR NBC 2015 &  
O.B.C. 2012 9.8.8.2





AC ENGINEERING INC.  
REVIEWED FOR NBC 2015 &  
O.B.C. 2012 9.8.8.2

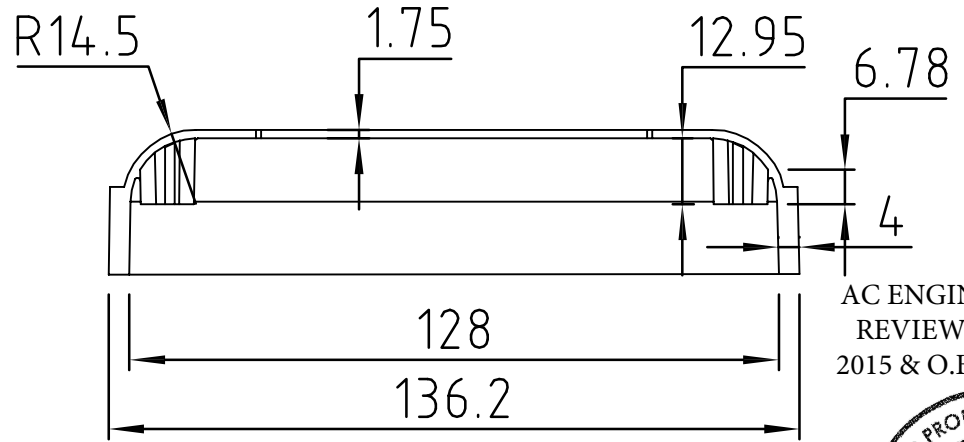
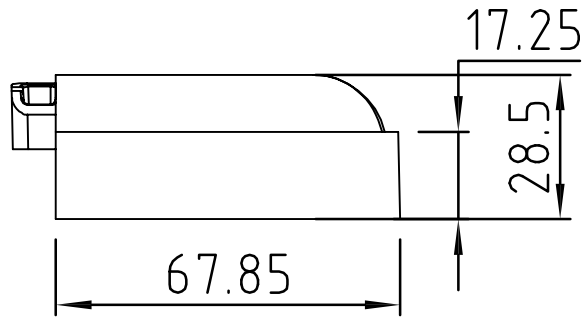




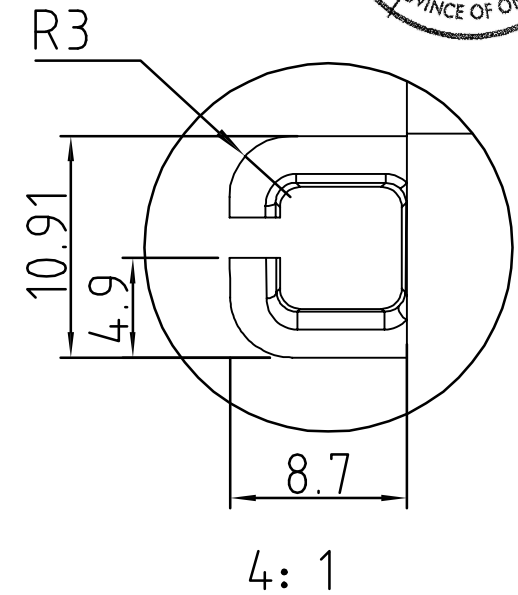
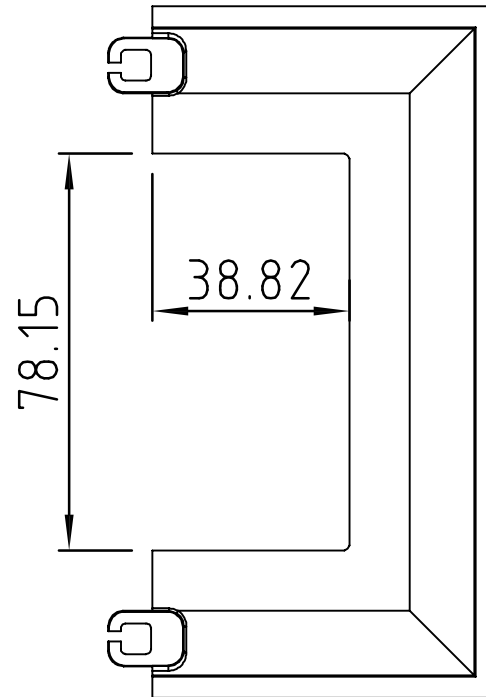
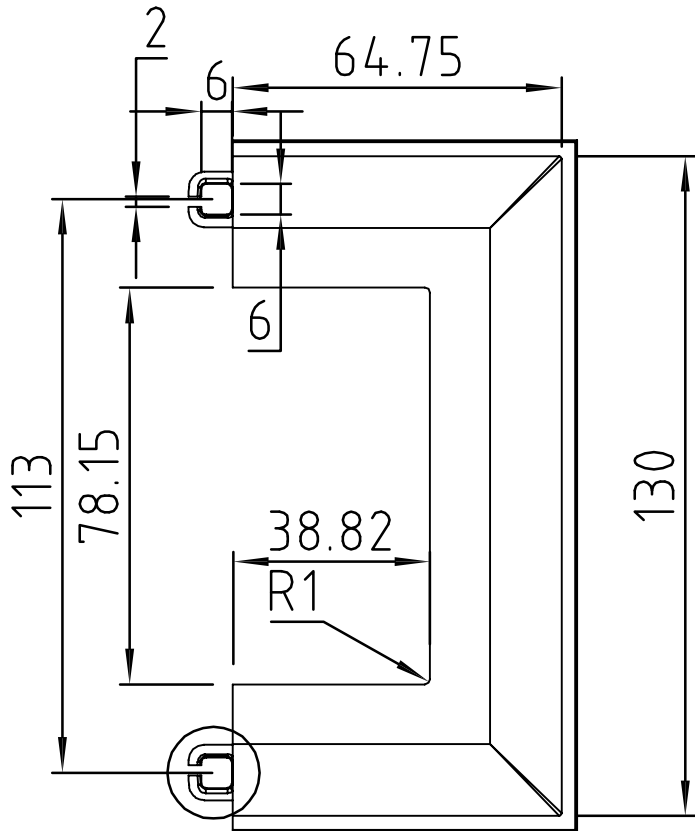
AC ENGINEERING INC.  
REVIEWED FOR NBC  
2015 & O.B.C. 2012 9.8.8.2

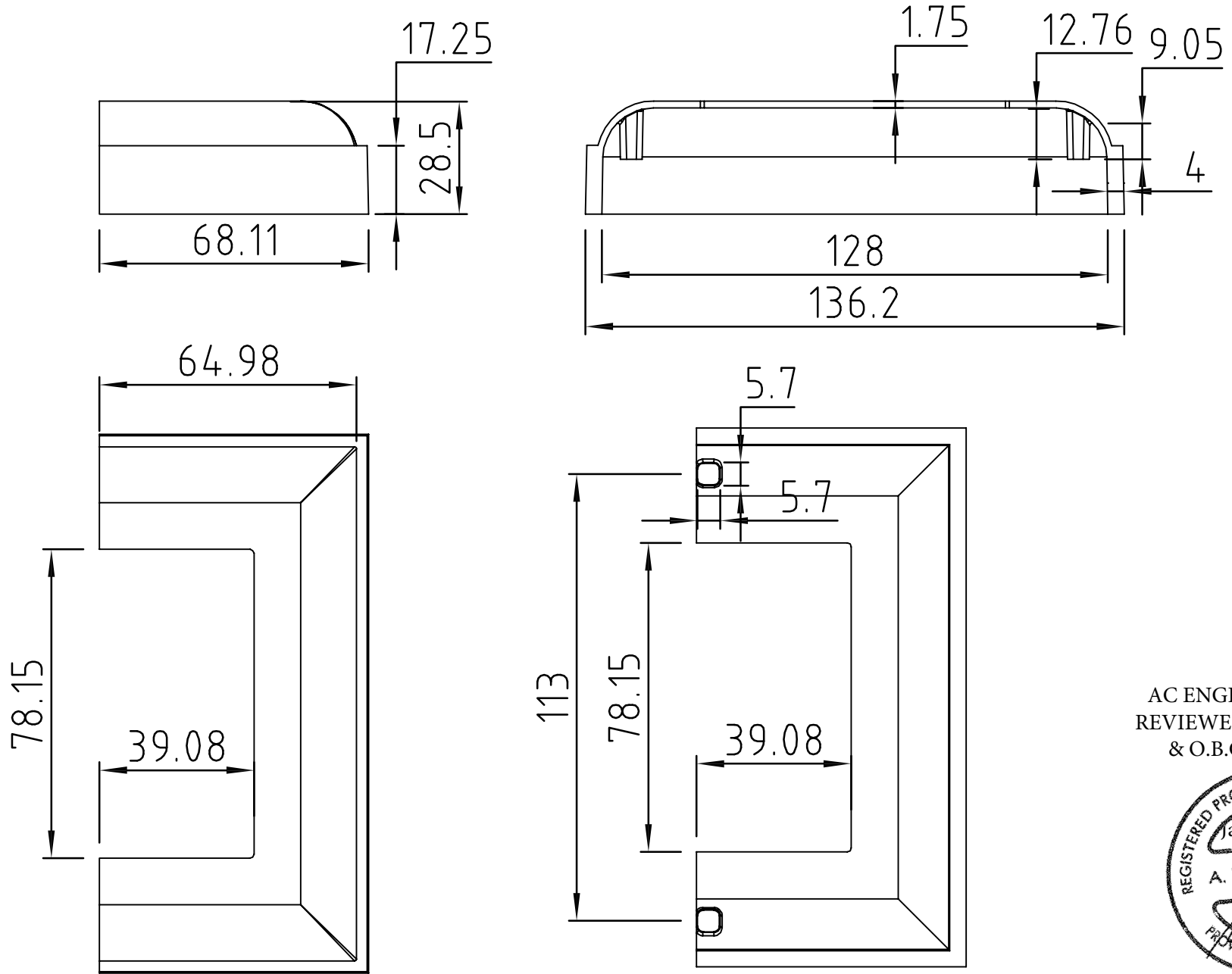






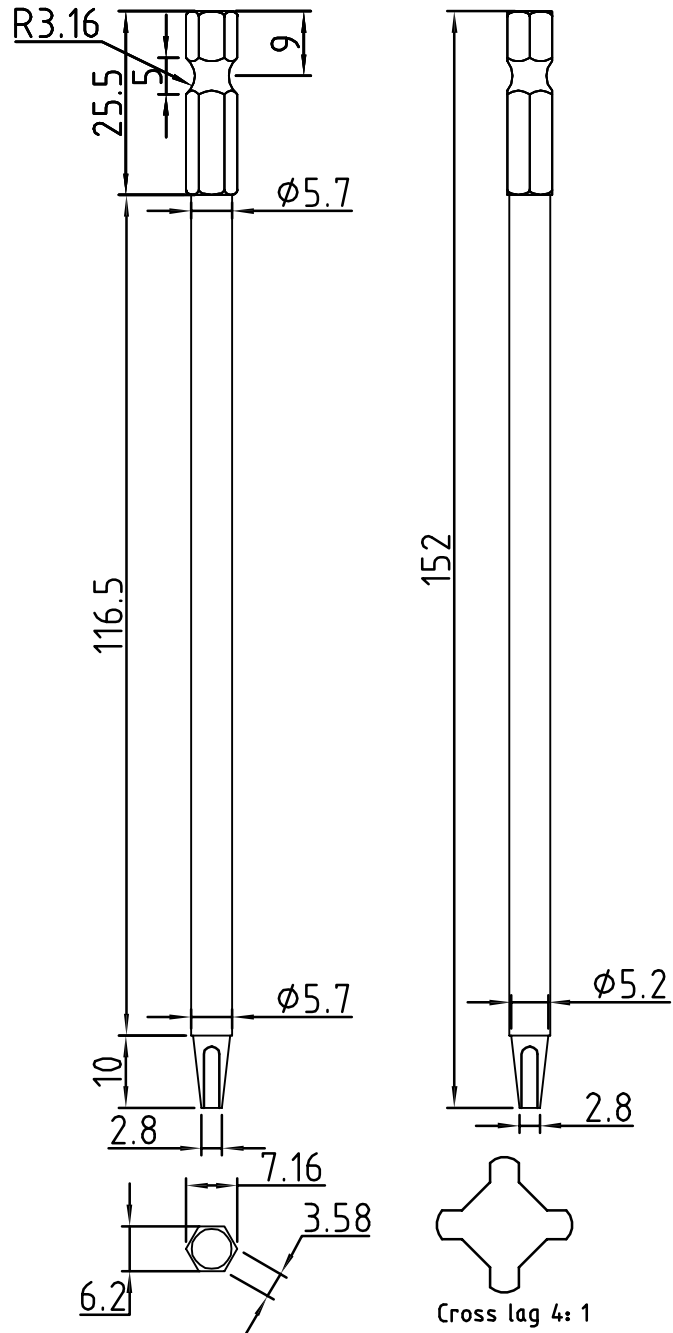
AC ENGINEERING INC.  
REVIEWED FOR NBC  
2015 & O.B.C. 2012 9.8.8.2





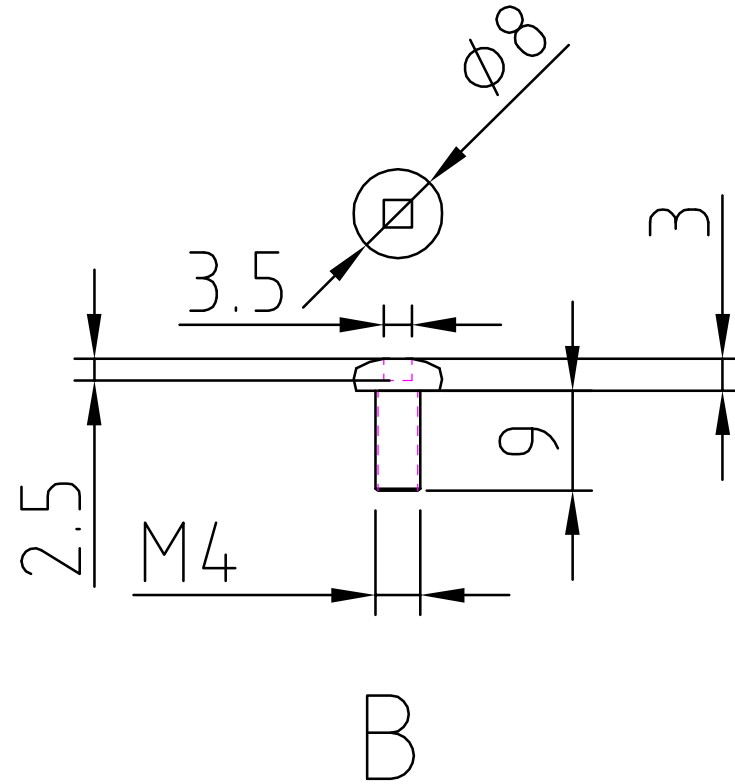
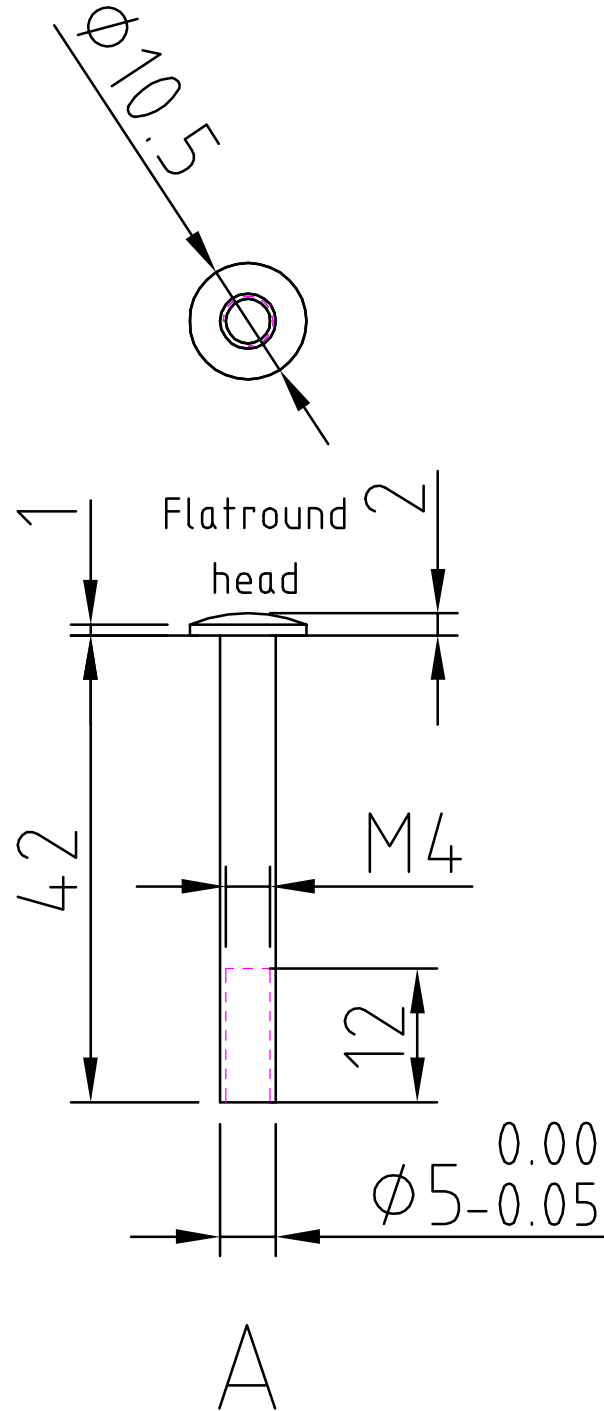
AC ENGINEERING INC.  
REVIEWED FOR NBC 2015  
& O.B.C. 2012 9.8.8.2





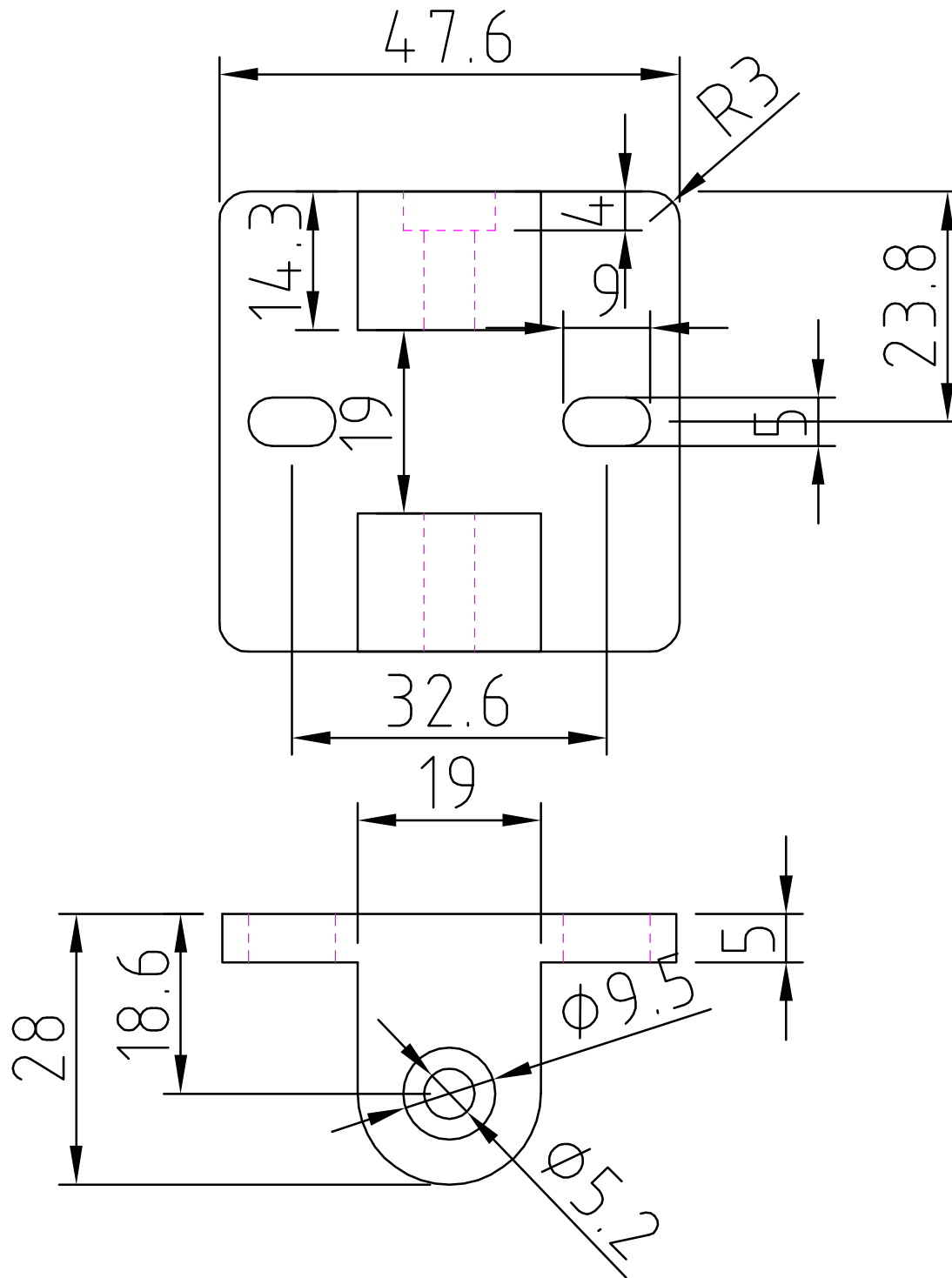
AC ENGINEERING INC.  
REVIEWED FOR NBC 2015 &  
O.B.C. 2012 9.8.8.2





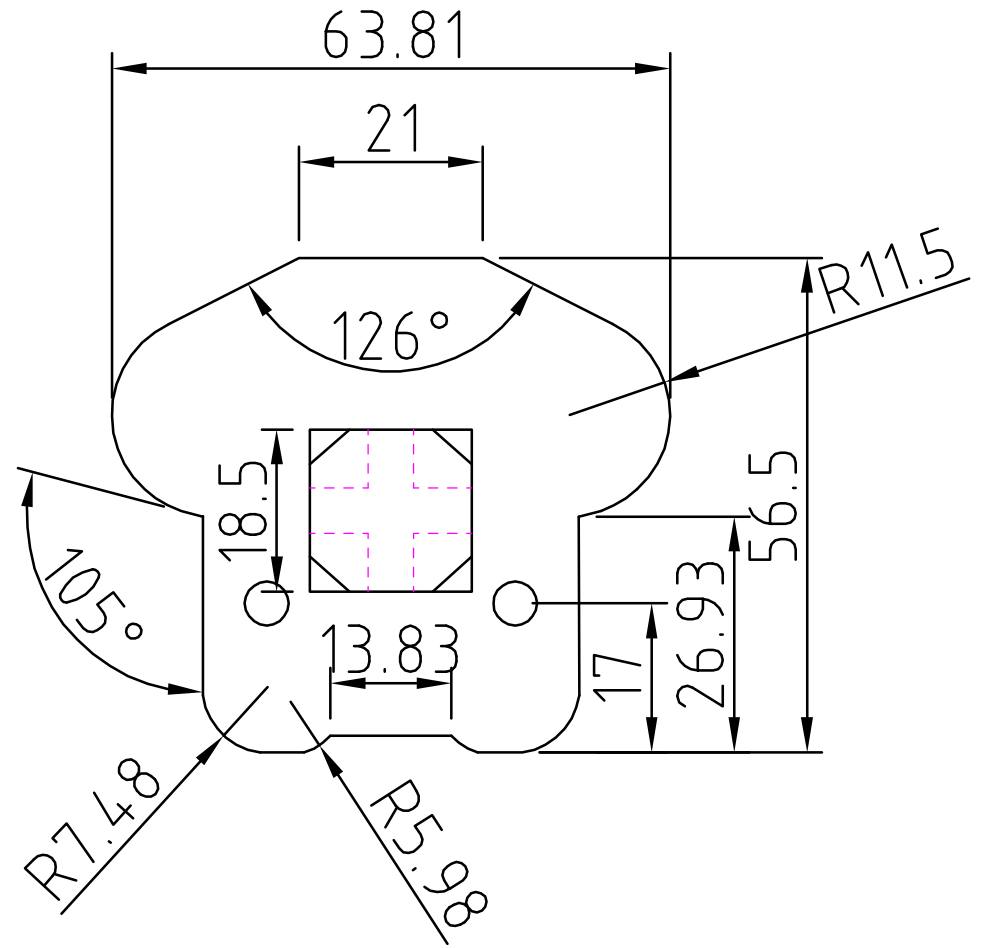
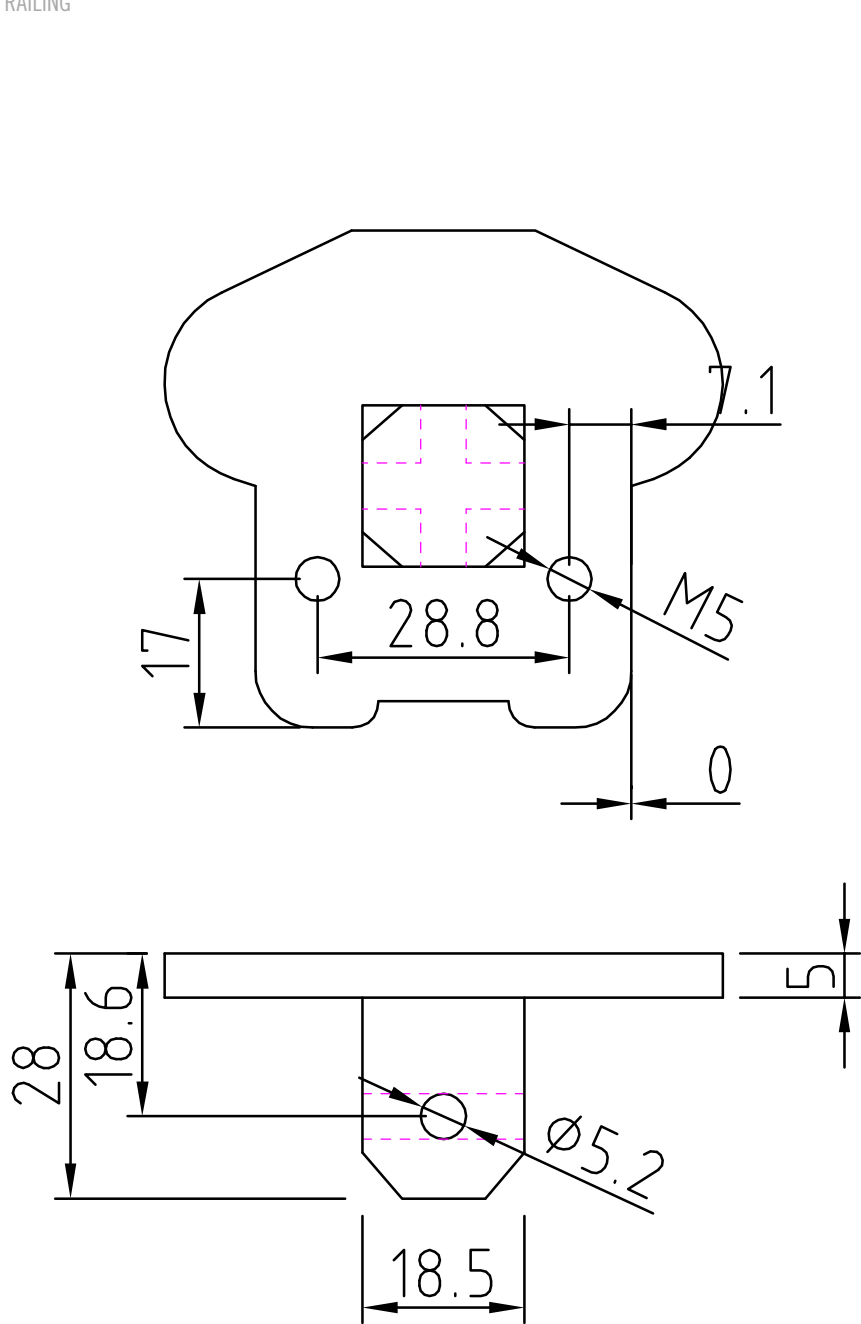
AC ENGINEERING INC.  
REVIEWED FOR NBC 2015 &  
O.B.C. 2012 9.8.8.2





AC ENGINEERING INC.  
REVIEWED FOR NBC 2015 &  
O.B.C. 2012 9.8.8.2

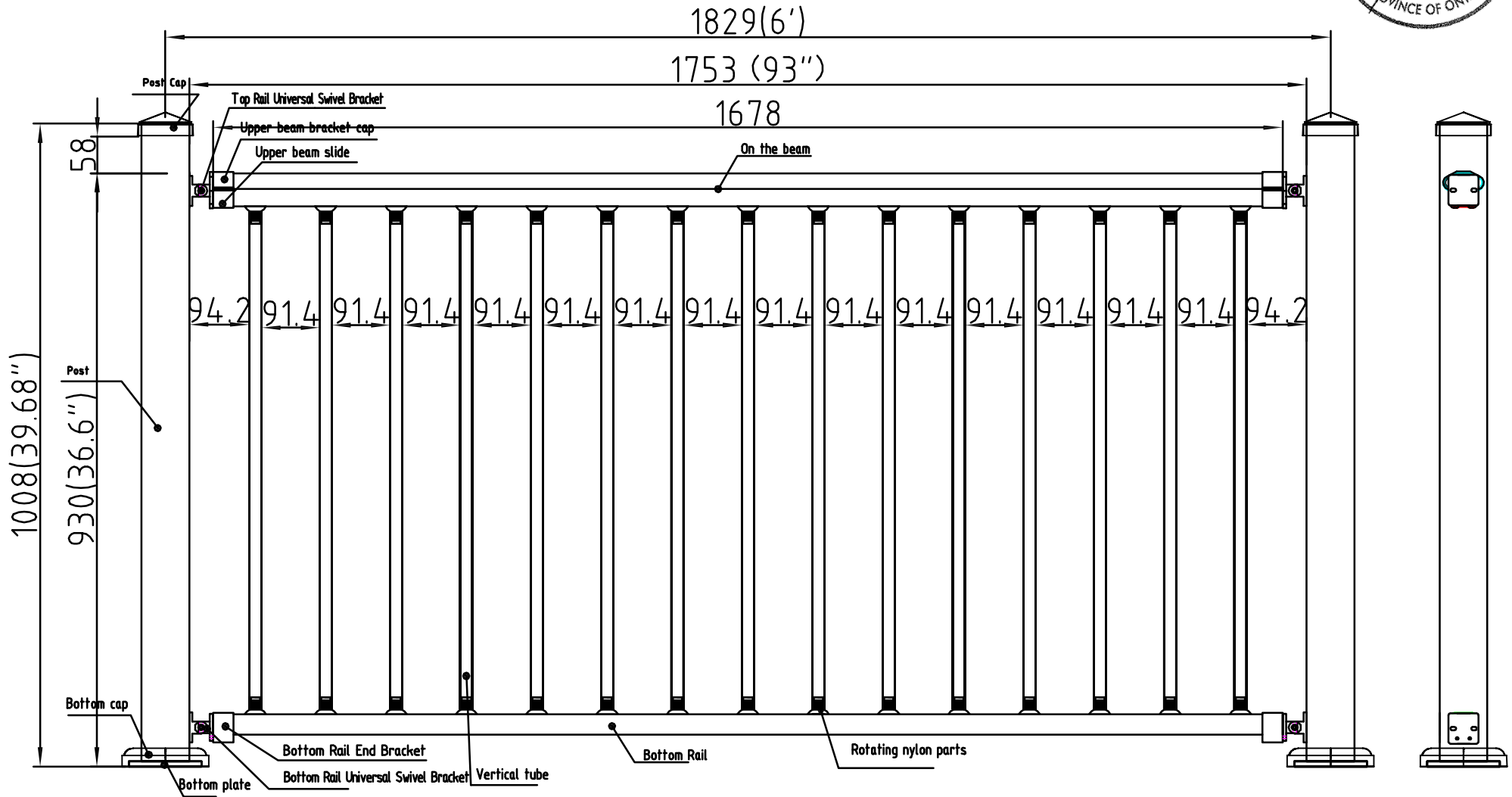




AC ENGINEERING INC.  
REVIEWED FOR NBC 2015  
& O.B.C. 2012 9.8.8.2

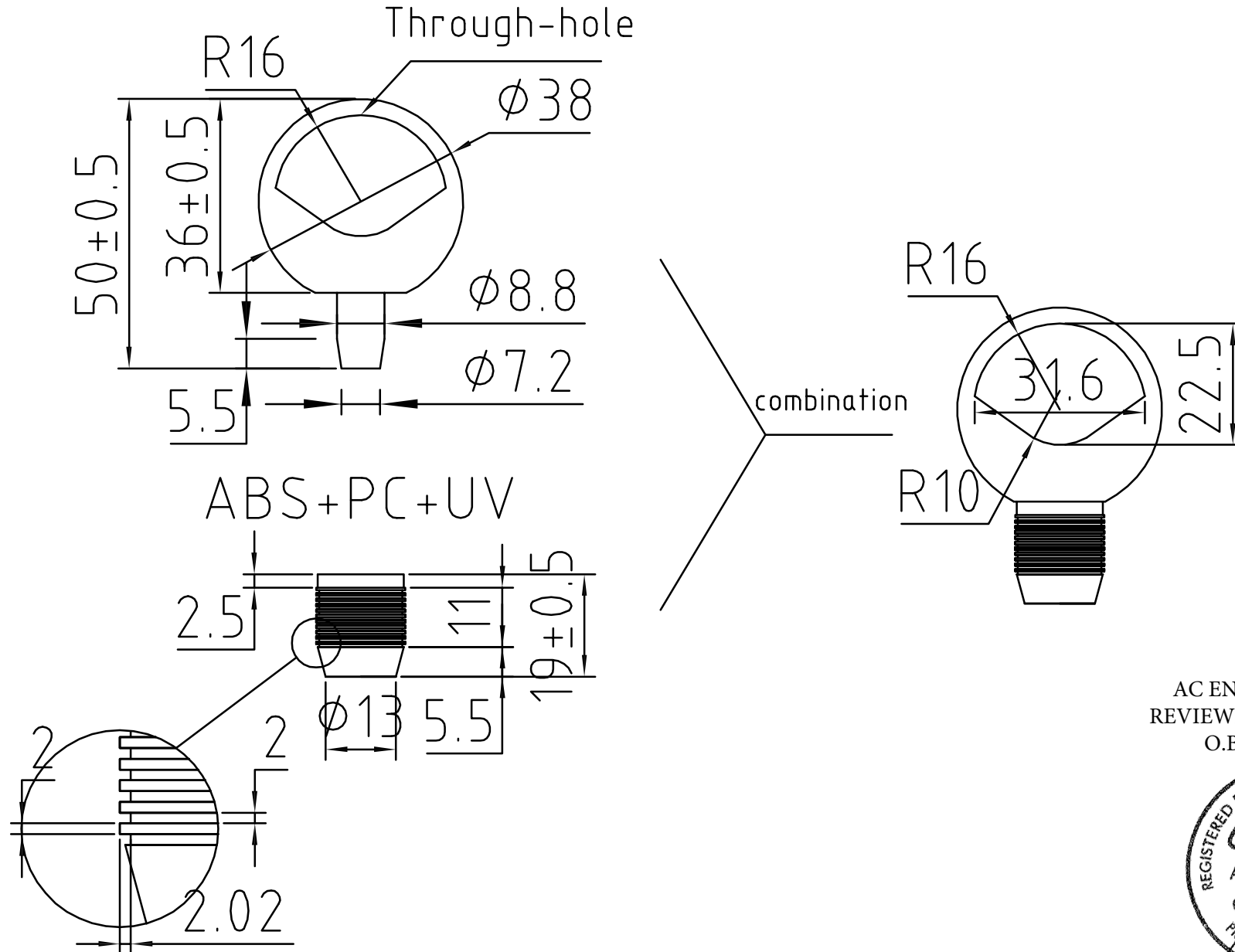








# Aluminum alloy parts



AC ENGINEERING INC.  
REVIEWED FOR NBC 2015 &  
O.B.C. 2012 9.8.8.2

